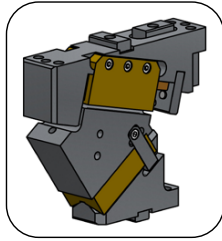




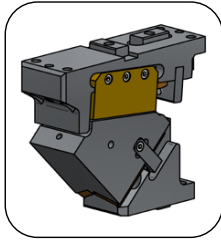
ASVX

Aerial cam for pierce and flange

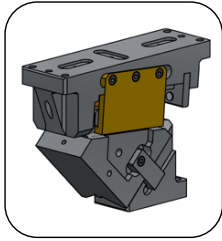
General information



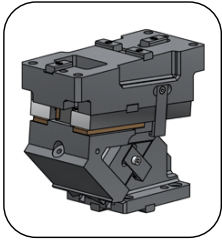
ASVX 0060



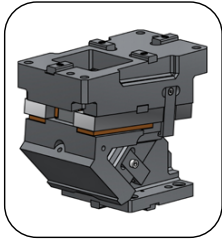
ASVX 0085



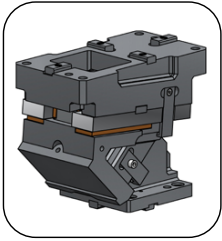
ASVX 0110



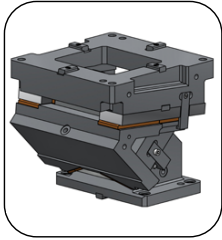
ASVX 0165



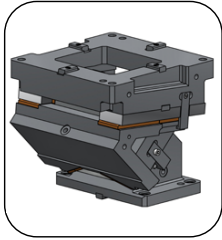
ASVX 0200



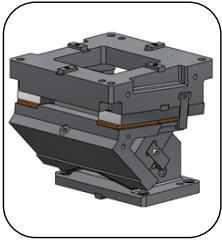
ASVX 0250



ASVX 0300



ASVX 0350

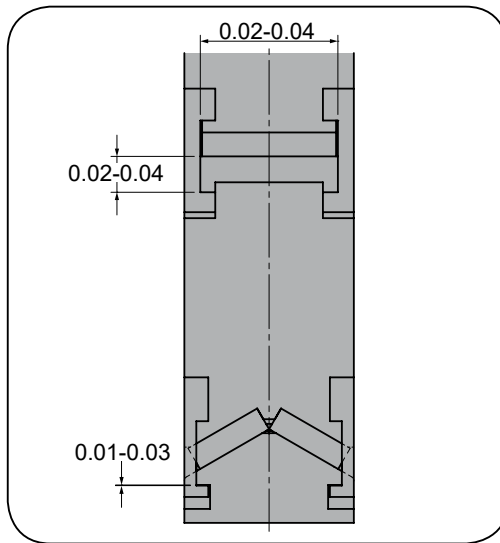


ASVX 0400

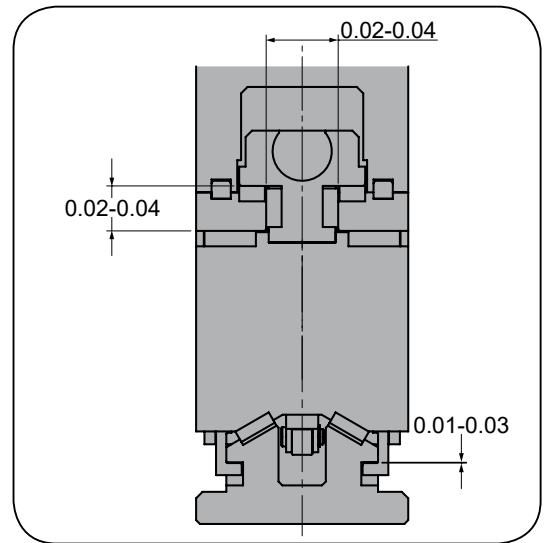
- Aerial cam.
- Angles from 0° to 75° with increments of 5°.
- "V" shaped sliding for auto-centered.
- Gas spring equipped unit.
- According to VDI-BAK.

Adjustment clearances

ASVX 0060 / 0085 / 0110



ASVX 0165 / 0200 / 0250 / 0300 / 0350 / 0400



ASVX

Aerial cam for pierce and flange

**AZOL
GAS** 

Assembling and disassembling

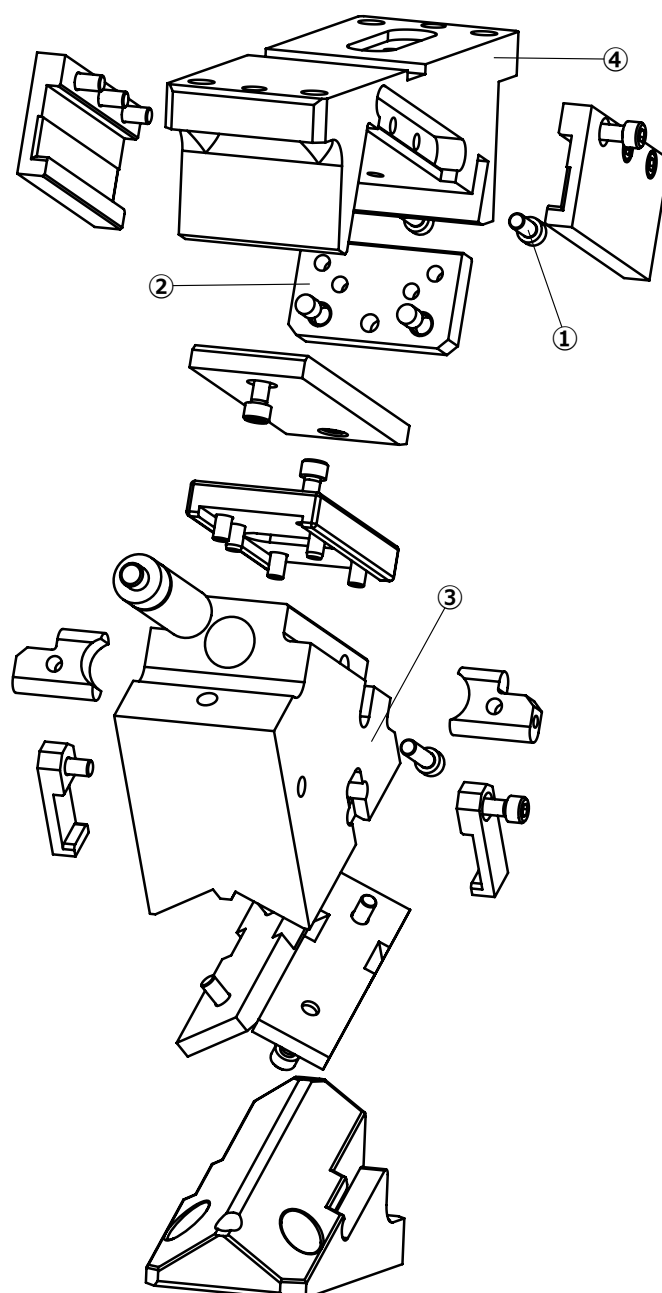
ASVX 0060 / 0085 / 0110

Disassembling process

- Unscrew ① pieces and remove security plate ②.
- Unmount cam slider ③ from cam holder ④.

Assembling process

- Make sure that there are no metal shaving or impurities.
- The clearance between the cam holder and slider is controlled.
- Match the serial numbers marked in each part before assembly.
- Make sure that all the screws have been used.



ASVX

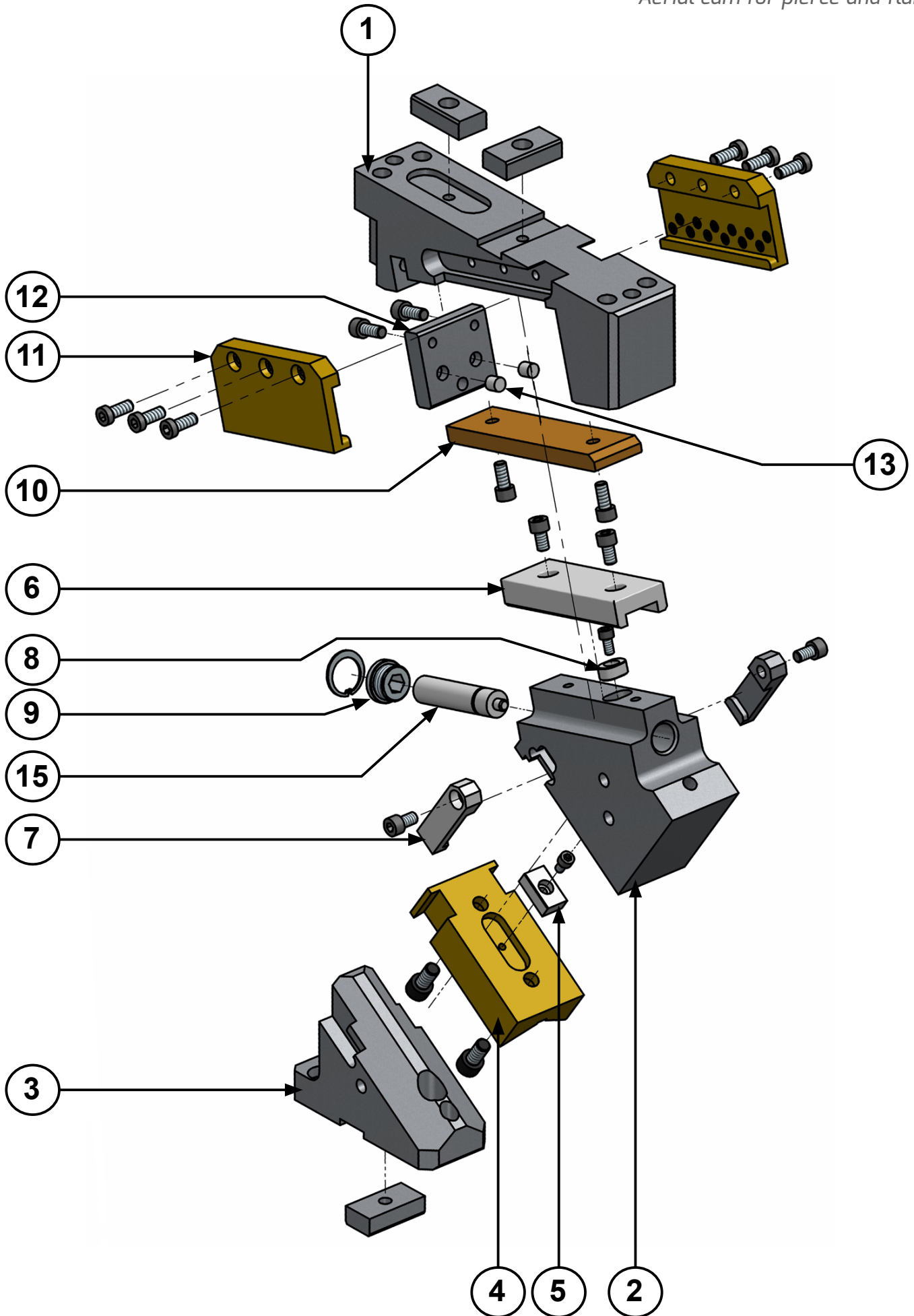
Aerial cam for pierce and flange





ASVX 0060

Aerial cam for pierce and flange

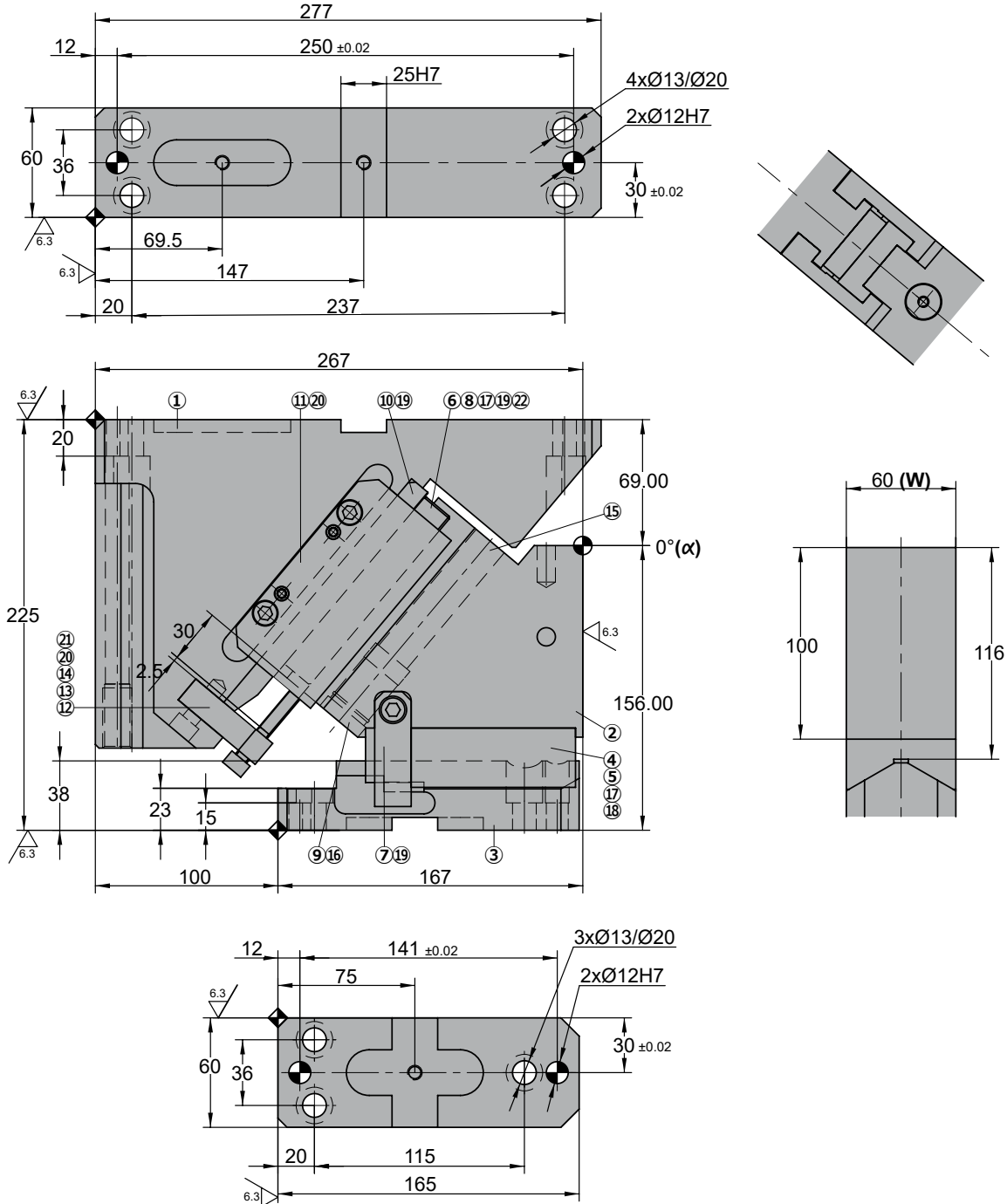


ASVX 0060

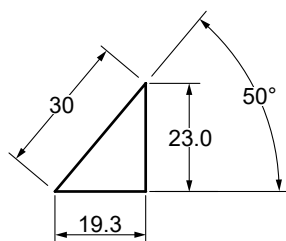
Aerial cam for pierce and flange



ASVX 0060 00



◦Cam diagram:



◦Disassembling space:



ASVX 0060

Aerial cam for pierce and flange

Stroke (mm)	Working force kN - (tons)	Spring Force N - (kgf)		Weight (Kg)	Model	W (mm)	α (mm)
		Initial F ₀	Final F ₁				
19.3	75.0 (7.6)	---	2580.6 (263.3)	20.8	ASVX	0060	00



Order: Model (W) (α)
ASVX 0060 00

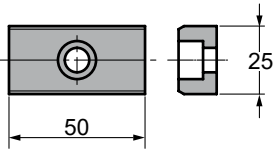
Standard order example according to catalog sheet.
 Add options applying options table contents.

OPTIONS

K

KEY

K



3 x M8x15

Order Options: Model (W) (α)-Option



ASVX 0060 00-K



SPARE PARTS:

- ④ Slide Guide
- ⑩ Slider Plate
- ⑮ Gas Spring

COMPONENTS

No.	Descripción	Qty.	Material
①	Cam Holder	1	GGG50
②	Cam Slider	1	GGG50 + G
③	Cam Driver	1	GGG50
④	Slide Guide	1	Bronze + G
⑤	Key A	1	CK45
⑥	Guide Plate	1	CK45
⑦	Positive Return	2	CK45
⑧	Key B	1	CK45
⑨	Spring Spacer	1	CK45
⑩	Slider Plate	1	Bronze + G
⑪	Side Guide	2	Bronze + G
⑫	Stopper Plate	1	CK45
⑬	Stopper	2	Urethane
⑭	Locking Stopper	1	CK45
⑮	Gas Spring	1	CW 170 038

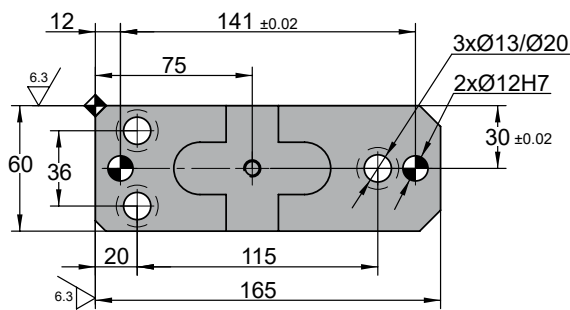
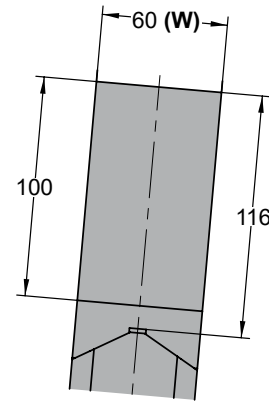
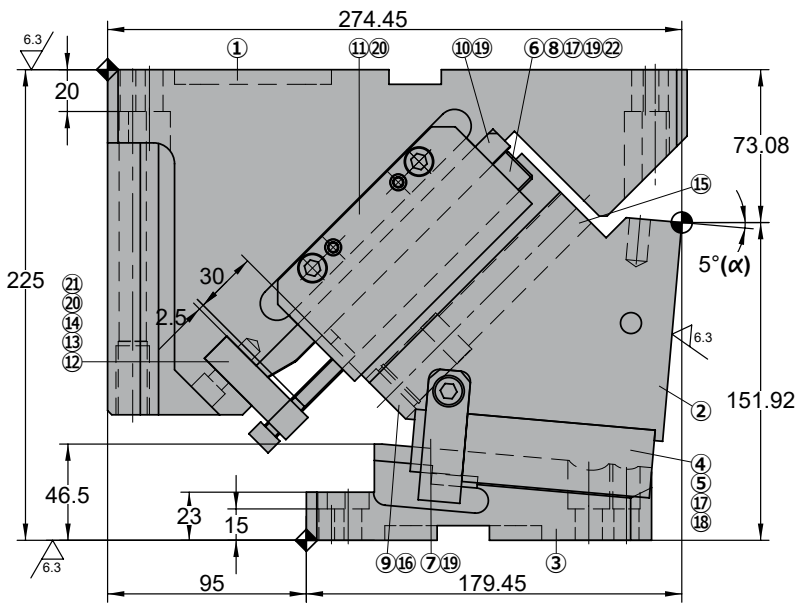
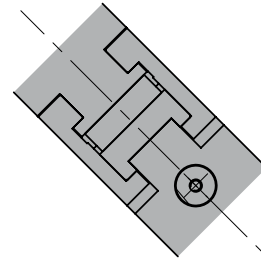
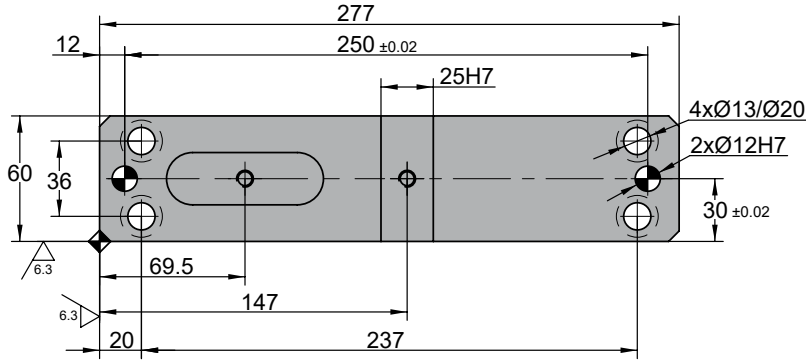
No.	Descripción	Qty.	Material
⑯	Screw	2	M8 x 45
⑰	Screw	2	M6 x 15
⑱	Screw	2	M10 x 20
⑲	Screw	9	M8 x 15
⑳	Screw	8	M8 x 20
㉑	Screw	1	M8 x 60
㉒	Dowel Pin	2	Ø8 x 25

ASVX 0060

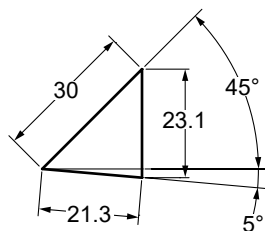
Aerial cam for pierce and flange



ASVX 0060 05



Cam diagram:



Disassembling space:



ASVX 0060

Aerial cam for pierce and flange

Stroke (mm)	Working force kN - (tons)	Spring Force N - (kgf)		Weight (Kg)	Model	W (mm)	α (mm)
		Initial F ₀	Final F ₁				
21.3	75.0 (7.6)	---	2580.6 (263.3)	20.5	ASVX	0060	05



Order: Model (W) (α)

ASVX 0060 05

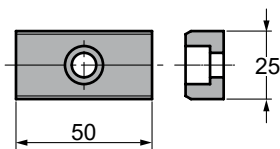
Standard order example according to catalog sheet. Add options applying options table contents.

OPTIONS

K

KEY

K



3 x M8x15

Order Options: Model (W) (α)-Option



ASVX 0060 05-K



SPARE PARTS:

- ④ Slide Guide
- ⑩ Slider Plate
- ⑮ Gas Spring

COMPONENTS

No.	Descripción	Qty.	Material
①	Cam Holder	1	GGG50
②	Cam Slider	1	GGG50 + G
③	Cam Driver	1	GGG50
④	Slide Guide	1	Bronze + G
⑤	Key A	1	CK45
⑥	Guide Plate	1	CK45
⑦	Positive Return	2	CK45
⑧	Key B	1	CK45
⑨	Spring Spacer	1	CK45
⑩	Slider Plate	1	Bronze + G
⑪	Side Guide	2	Bronze + G
⑫	Stopper Plate	1	CK45
⑬	Stopper	2	Urethane
⑭	Locking Stopper	1	CK45
⑮	Gas Spring	1	CW 170 038

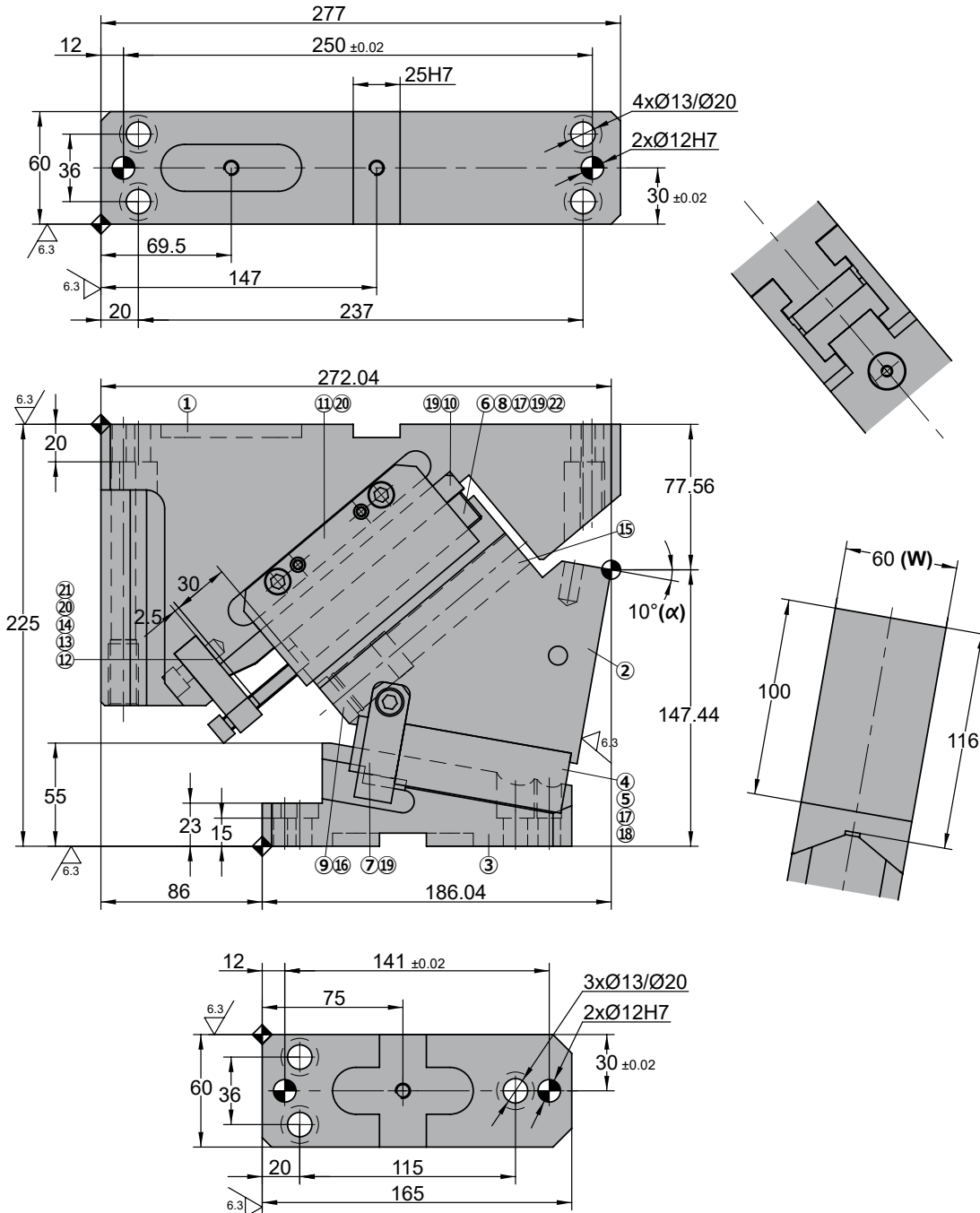
No.	Descripción	Qty.	Material
⑯	Screw	2	M8 x 45
⑰	Screw	2	M6 x 15
⑱	Screw	2	M10 x 20
⑲	Screw	9	M8 x 15
⑳	Screw	8	M8 x 20
㉑	Screw	1	M8 x 60
㉒	Dowel Pin	2	Ø8 x 25

ASVX 0060

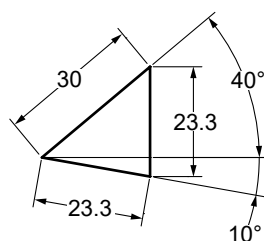
Aerial cam for pierce and flange



ASVX 0060 10

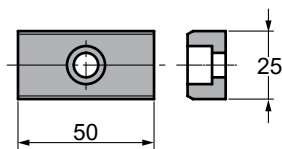


◦Cam diagram:



◦Disassembling space:

Stroke (mm)	Working force kN - (tons)	Spring Force N - (kgf)		Weight (Kg)	Model	W (mm)	α (mm)
		Initial F ₀	Final F ₁				
23.3	75.0 (7.6)	---	2580.6 (263.3)	19.7	ASVX	0060	10

Order: Model (W) (α)**ASVX 0060 10**Standard order example according to catalog sheet.
Add options applying options table contents.**OPTIONS****K****KEY****K**

3 x M8x15

Order Options: Model (W) (α)-Option**ASVX 0060 10-K****SPARE PARTS:**

- ④ Slide Guide
- ⑩ Slider Plate
- ⑮ Gas Spring

COMPONENTS

No.	Descripción	Qty.	Material
①	Cam Holder	1	GGG50
②	Cam Slider	1	GGG50 + G
③	Cam Driver	1	GGG50
④	Slide Guide	1	Bronze + G
⑤	Key A	1	CK45
⑥	Guide Plate	1	CK45
⑦	Positive Return	2	CK45
⑧	Key B	1	CK45
⑨	Spring Spacer	1	CK45
⑩	Slider Plate	1	Bronze + G
⑪	Side Guide	2	Bronze + G
⑫	Stopper Plate	1	CK45
⑬	Stopper	2	Urethane
⑭	Locking Stopper	1	CK45
⑮	Gas Spring	1	CW 170 038

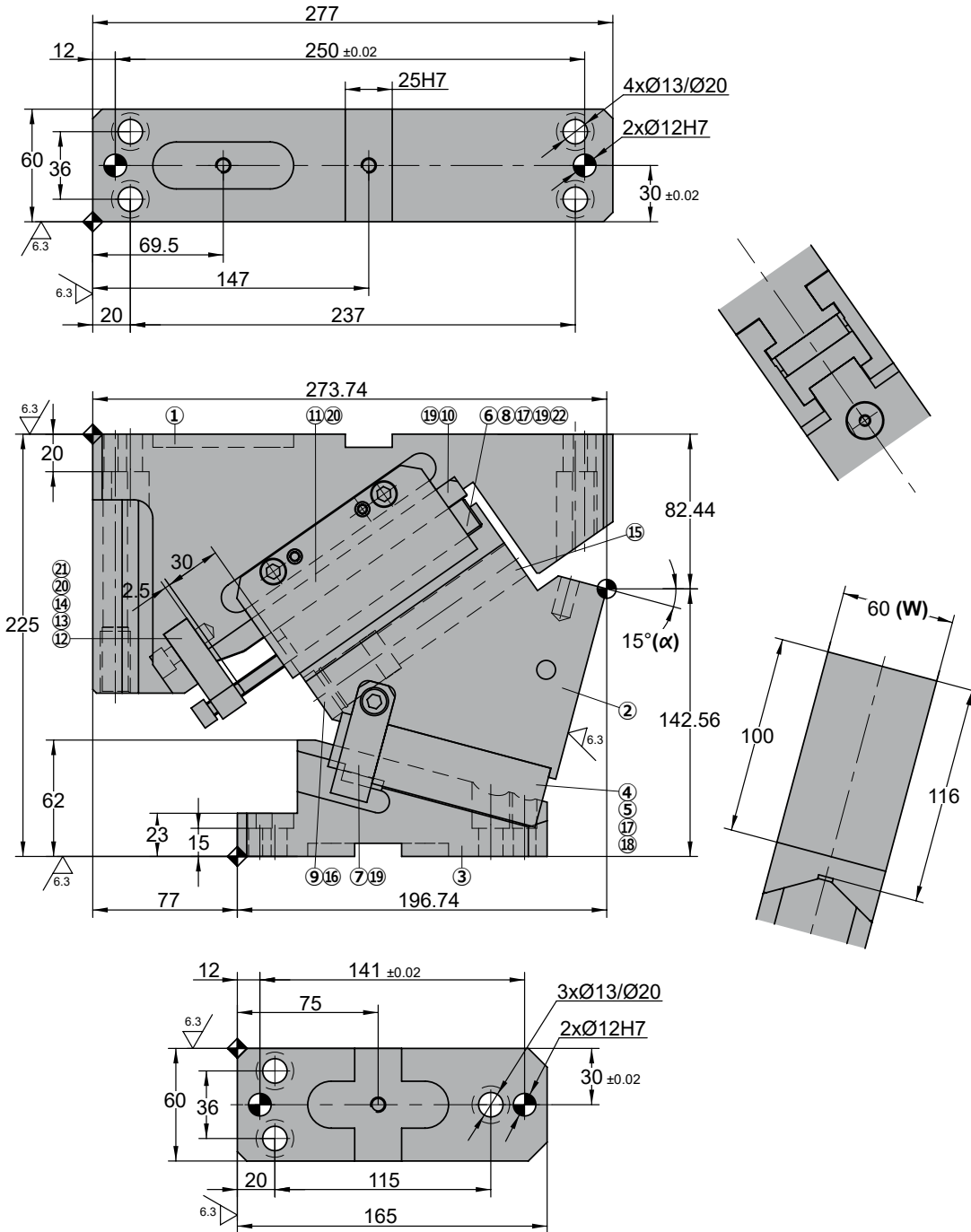
No.	Descripción	Qty.	Material
⑯	Screw	2	M8 x 45
⑰	Screw	2	M6 x 15
⑱	Screw	2	M10 x 20
⑲	Screw	9	M8 x 15
⑳	Screw	8	M8 x 20
㉑	Screw	1	M8 x 60
㉒	Dowel Pin	2	Ø8 x 25

ASVX 0060

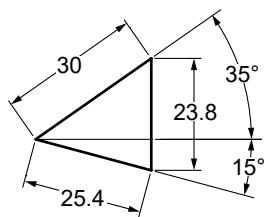
Aerial cam for pierce and flange



ASVX 0060 15

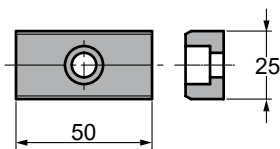


◦Cam diagram:



◦Disassembling space:

Stroke (mm)	Working force kN - (tons)	Spring Force N - (kgf)		Weight (Kg)	Model	W (mm)	α (mm)
		Initial F ₀	Final F ₁				
25.4	75.0 (7.6)	---	2580.6 (263.3)	19.3	ASVX	0060	15

Order: Model (W) (α)**ASVX 0060 15**Standard order example according to catalog sheet.
Add options applying options table contents.**OPTIONS****K****KEY****K**

3 x M8x15

Order Options: Model (W) (α)-Option**ASVX 0060 15-K****SPARE PARTS:**

- ④ Slide Guide
- ⑩ Slider Plate
- ⑮ Gas Spring

COMPONENTS

No.	Descripción	Qty.	Material
①	Cam Holder	1	GGG50
②	Cam Slider	1	GGG50 + G
③	Cam Driver	1	GGG50
④	Slide Guide	1	Bronze + G
⑤	Key A	1	CK45
⑥	Guide Plate	1	CK45
⑦	Positive Return	2	CK45
⑧	Key B	1	CK45
⑨	Spring Spacer	1	CK45
⑩	Slider Plate	1	Bronze + G
⑪	Side Guide	2	Bronze + G
⑫	Stopper Plate	1	CK45
⑬	Stopper	2	Urethane
⑭	Locking Stopper	1	CK45
⑮	Gas Spring	1	CW 170 038

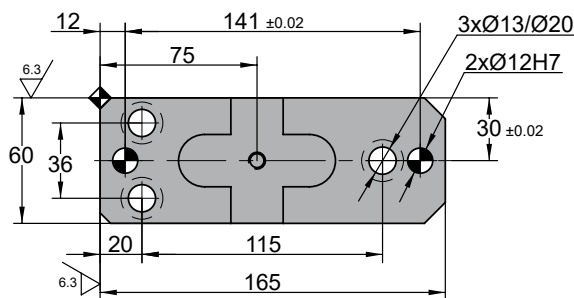
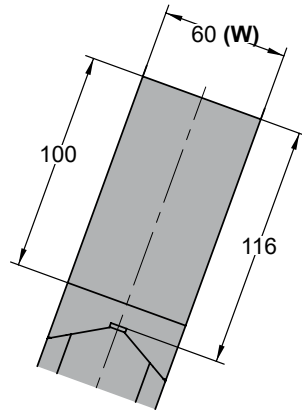
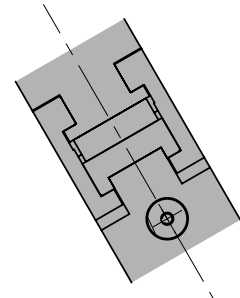
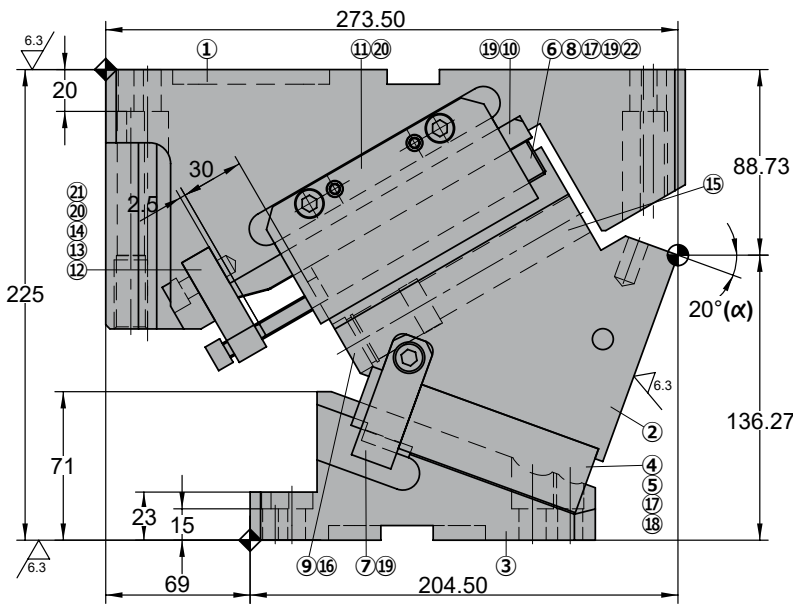
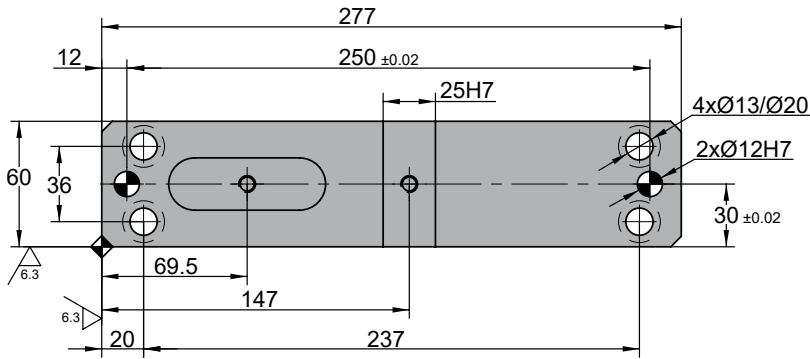
No.	Descripción	Qty.	Material
⑯	Screw	2	M8 x 45
⑰	Screw	2	M6 x 15
⑱	Screw	2	M10 x 20
⑲	Screw	9	M8 x 15
⑳	Screw	8	M8 x 20
㉑	Screw	1	M8 x 60
㉒	Dowel Pin	2	Ø8 x 25

ASVX 0060

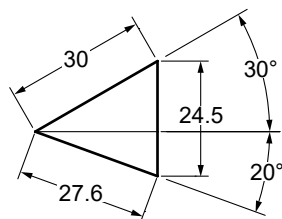
Aerial cam for pierce and flange



ASVX 0060 20



◦Cam diagram:



◦Disassembling space:



ASVX 0060

Aerial cam for pierce and flange

Stroke (mm)	Working force kN - (tons)	Spring Force N - (kgf)		Weight (Kg)	Model	W (mm)	α (mm)
		Initial F ₀	Final F ₁				
27.6	75.0 (7.6)	---	2580.6 (263.3)	18.9	ASVX	0060	20



Order: Model (W) (α)

ASVX 0060 20

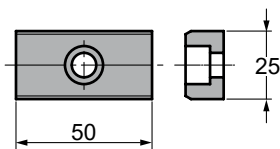
Standard order example according to catalog sheet. Add options applying options table contents.

OPTIONS

K

KEY

K



3 x M8x15

Order Options: Model (W) (α)-Option



ASVX 0060 20-K



SPARE PARTS:

- ④ Slide Guide
- ⑩ Slider Plate
- ⑮ Gas Spring

COMPONENTS

No.	Descripción	Qty.	Material
①	Cam Holder	1	GGG50
②	Cam Slider	1	GGG50 + G
③	Cam Driver	1	GGG50
④	Slide Guide	1	Bronze + G
⑤	Key A	1	CK45
⑥	Guide Plate	1	CK45
⑦	Positive Return	2	CK45
⑧	Key B	1	CK45
⑨	Spring Spacer	1	CK45
⑩	Slider Plate	1	Bronze + G
⑪	Side Guide	2	Bronze + G
⑫	Stopper Plate	1	CK45
⑬	Stopper	2	Urethane
⑭	Locking Stopper	1	CK45
⑮	Gas Spring	1	CW 170 038

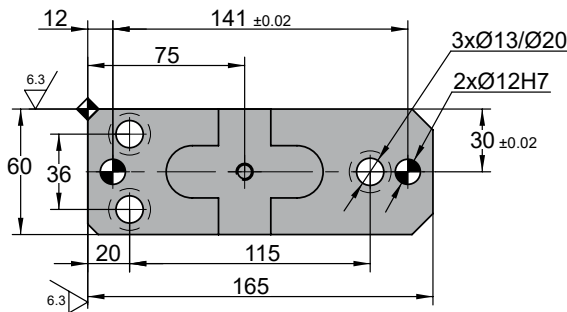
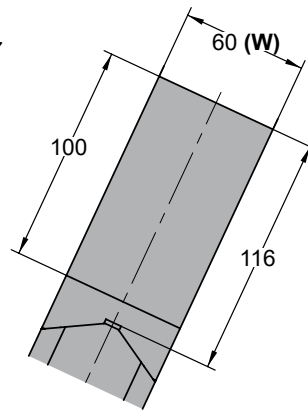
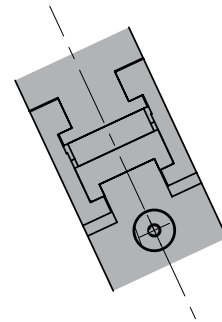
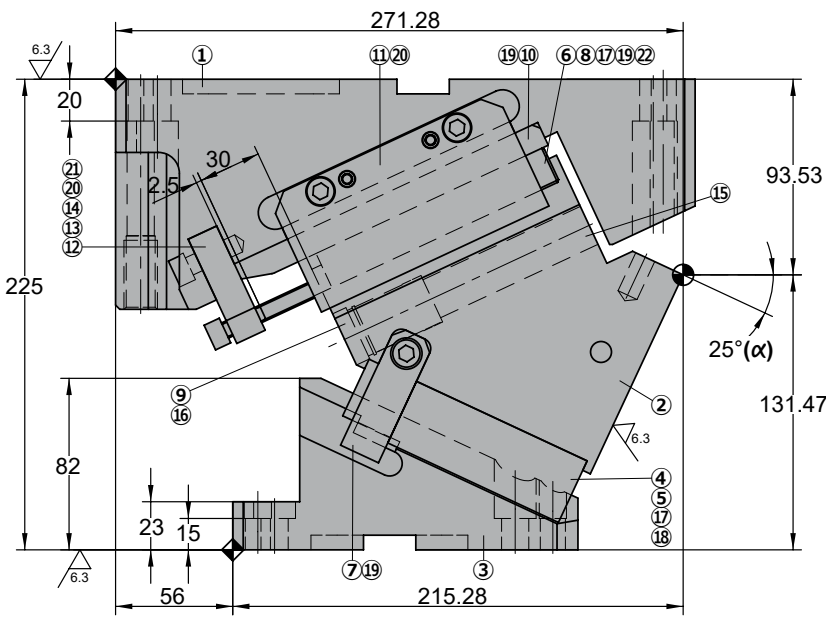
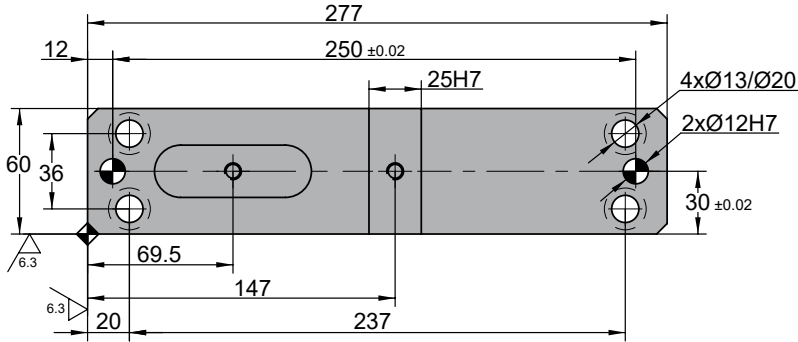
No.	Descripción	Qty.	Material
⑯	Screw	2	M8 x 45
⑰	Screw	2	M6 x 15
⑱	Screw	2	M10 x 20
⑲	Screw	9	M8 x 15
⑳	Screw	8	M8 x 20
㉑	Screw	1	M8 x 60
㉒	Dowel Pin	2	Ø8 x 25

ASVX 0060

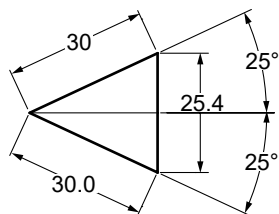
Aerial cam for pierce and flange



ASVX 0060 25



◦Cam diagram:



◦Disassembling space:



ASVX 0060

Aerial cam for pierce and flange

Stroke (mm)	Working force kN - (tons)	Spring Force N - (kgf)		Weight (Kg)	Model	W (mm)	α (mm)
		Initial F ₀	Final F ₁				
30.0	75.0 (7.6)	---	2580.6 (263.3)	18.8	ASVX	0060	25



Order: Model (W) (α)
ASVX 0060 25

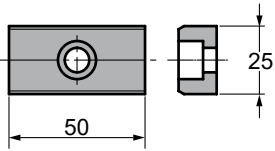
Standard order example according to catalog sheet. Add options applying options table contents.

OPTIONS

K

KEY

K



3 x M8x15

Order Options: Model (W) (α)-Option



ASVX 0060 25-K



SPARE PARTS:

- ④ Slide Guide
- ⑩ Slider Plate
- ⑮ Gas Spring

COMPONENTS

No.	Descripción	Qty.	Material
①	Cam Holder	1	GGG50
②	Cam Slider	1	GGG50 + G
③	Cam Driver	1	GGG50
④	Slide Guide	1	Bronze + G
⑤	Key A	1	CK45
⑥	Guide Plate	1	CK45
⑦	Positive Return	2	CK45
⑧	Key B	1	CK45
⑨	Spring Spacer	1	CK45
⑩	Slider Plate	1	Bronze + G
⑪	Side Guide	2	Bronze + G
⑫	Stopper Plate	1	CK45
⑬	Stopper	2	Urethane
⑭	Locking Stopper	1	CK45
⑮	Gas Spring	1	CW 170 038

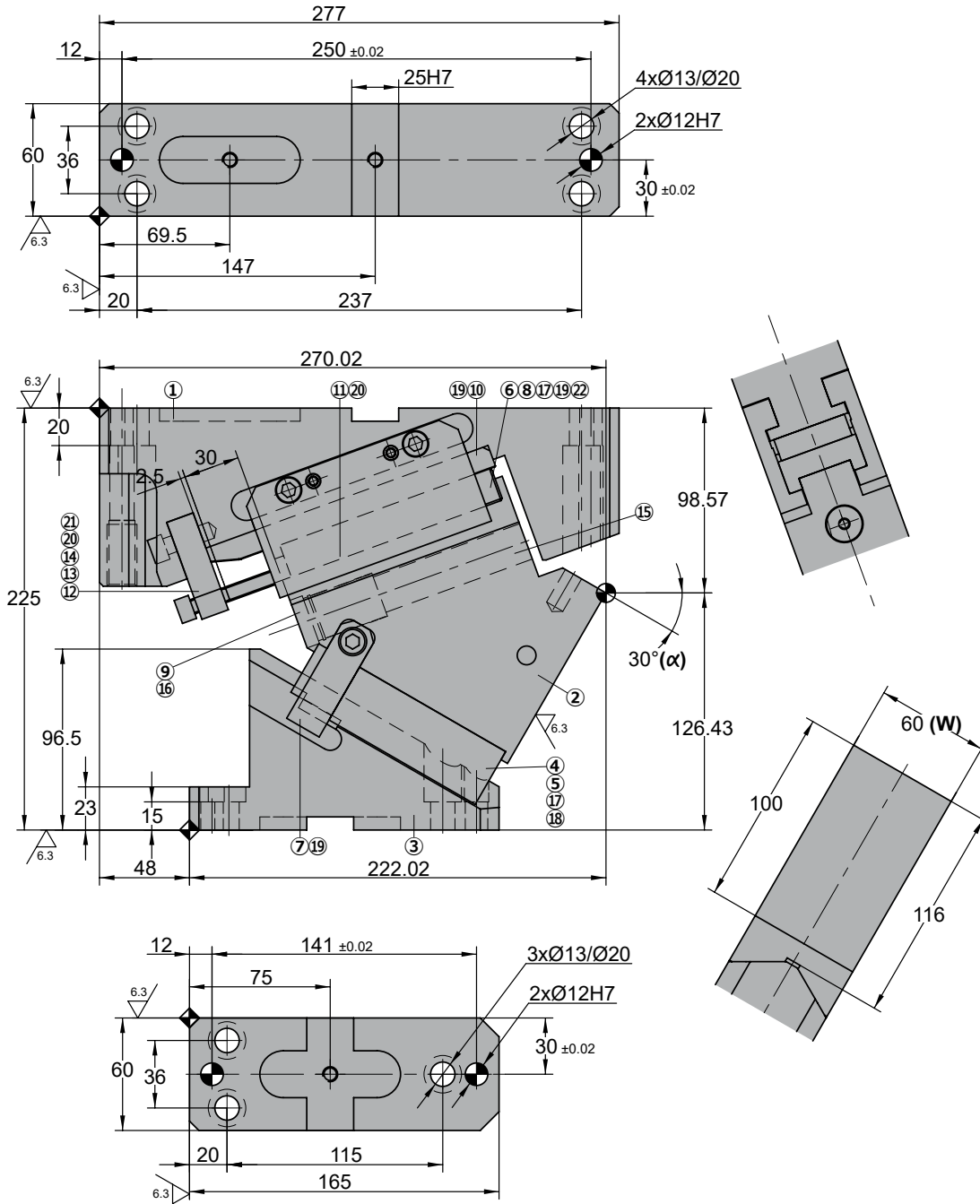
No.	Descripción	Qty.	Material
⑯	Screw	2	M8 x 45
⑰	Screw	2	M6 x 15
⑱	Screw	2	M10 x 20
⑲	Screw	9	M8 x 15
⑳	Screw	8	M8 x 20
㉑	Screw	1	M8 x 60
㉒	Dowel Pin	2	Ø8 x 25

ASVX 0060

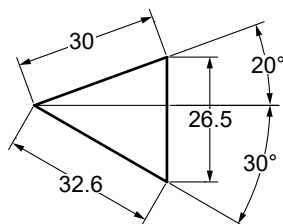
Aerial cam for pierce and flange



ASVX 0060 30



◦Cam diagram:



◦Disassembling space:



ASVX 0060

Aerial cam for pierce and flange

Stroke (mm)	Working force kN - (tons)	Spring Force N - (kgf)		Weight (Kg)	Model	W (mm)	α (mm)
		Initial F ₀	Final F ₁				
32.6	75.0 (7.6)	---	2580.6 (263.3)	18.4	ASVX	0060	30



Order: Model (W) (α)

ASVX 0060 30

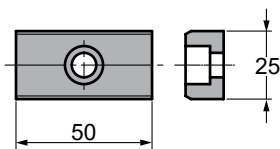
Standard order example according to catalog sheet. Add options applying options table contents.

OPTIONS

K

KEY

K



3 x M8x15

Order Options: Model (W) (α)-Option



ASVX 0060 30-K



SPARE PARTS:

- ④ Slide Guide
- ⑩ Slider Plate
- ⑮ Gas Spring

COMPONENTS

No.	Descripción	Qty.	Material
①	Cam Holder	1	GGG50
②	Cam Slider	1	GGG50 + G
③	Cam Driver	1	GGG50
④	Slide Guide	1	Bronze + G
⑤	Key A	1	CK45
⑥	Guide Plate	1	CK45
⑦	Positive Return	2	CK45
⑧	Key B	1	CK45
⑨	Spring Spacer	1	CK45
⑩	Slider Plate	1	Bronze + G
⑪	Side Guide	2	Bronze + G
⑫	Stopper Plate	1	CK45
⑬	Stopper	2	Urethane
⑭	Locking Stopper	1	CK45
⑮	Gas Spring	1	CW 170 038

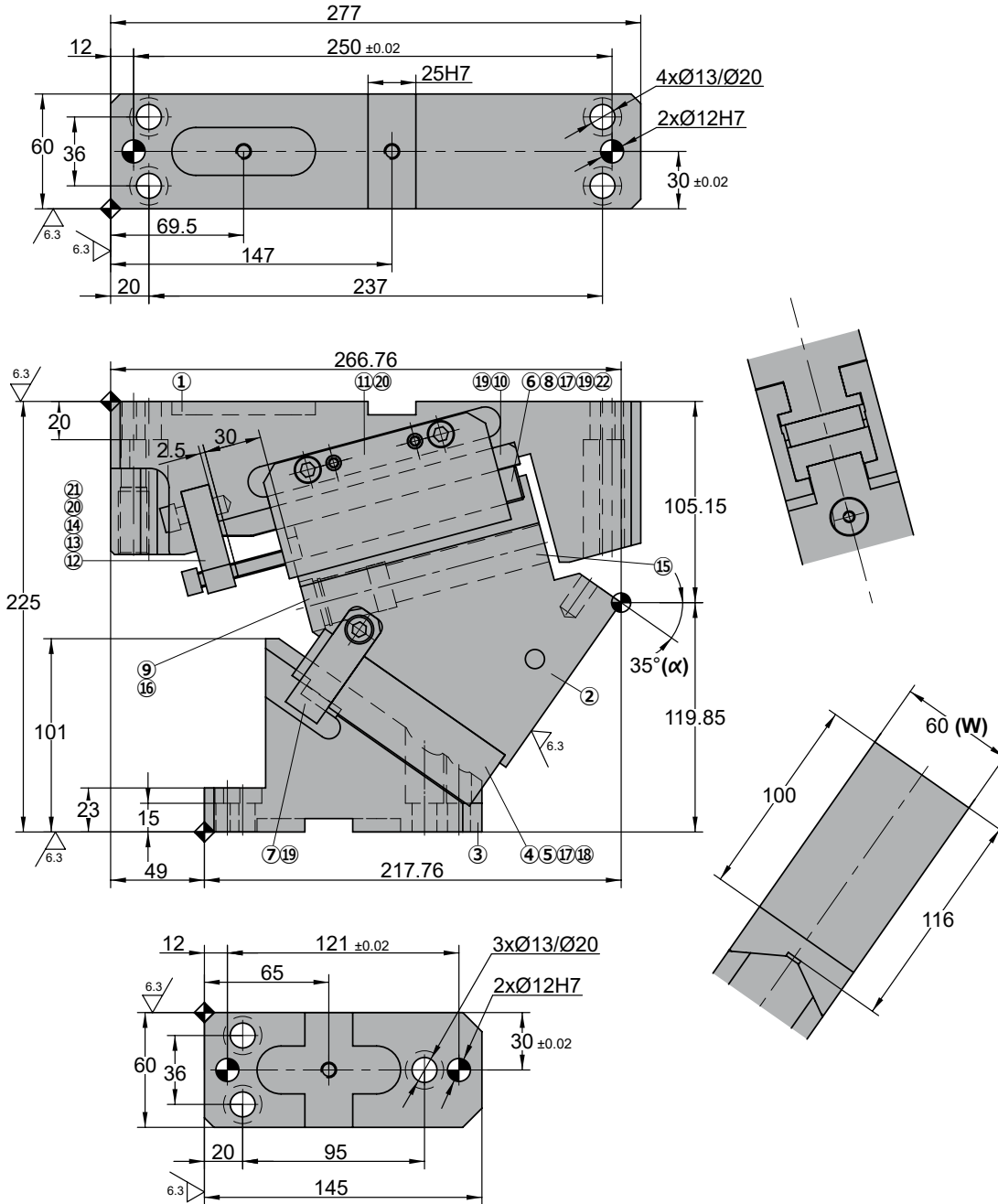
No.	Descripción	Qty.	Material
⑯	Screw	2	M8 x 45
⑰	Screw	2	M6 x 15
⑱	Screw	2	M10 x 20
⑲	Screw	9	M8 x 15
⑳	Screw	8	M8 x 20
㉑	Screw	1	M8 x 60
㉒	Dowel Pin	2	Ø8 x 25

ASVX 0060

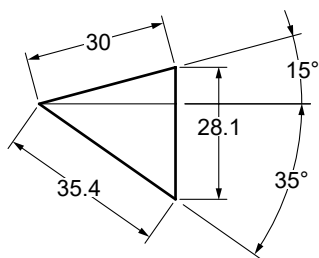
Aerial cam for pierce and flange



ASVX 0060 35



◦Cam diagram:



◦Disassembling space:



ASVX 0060

Aerial cam for pierce and flange

Stroke (mm)	Working force kN - (tons)	Spring Force N - (kgf)		Weight (Kg)	Model	W (mm)	α (mm)
		Initial F ₀	Final F ₁				
35.4	75.0 (7.6)	---	2580.6 (263.3)	17.7	ASVX	0060	35



Order: Model (W) (α)
ASVX 0060 35

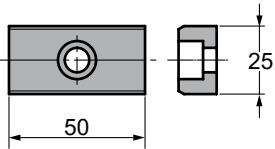
Standard order example according to catalog sheet.
 Add options applying options table contents.

OPTIONS

K

KEY

K



3 x M8x15

Order Options: Model (W) (α)-Option



ASVX 0060 35-K



SPARE PARTS:

- ④ Slide Guide
- ⑩ Slider Plate
- ⑮ Gas Spring

COMPONENTS

No.	Descripción	Qty.	Material
①	Cam Holder	1	GGG50
②	Cam Slider	1	GGG50 + G
③	Cam Driver	1	GGG50
④	Slide Guide	1	Bronze + G
⑤	Key A	1	CK45
⑥	Guide Plate	1	CK45
⑦	Positive Return	2	CK45
⑧	Key B	1	CK45
⑨	Spring Spacer	1	CK45
⑩	Slider Plate	1	Bronze + G
⑪	Side Guide	2	Bronze + G
⑫	Stopper Plate	1	CK45
⑬	Stopper	2	Urethane
⑭	Locking Stopper	1	CK45
⑮	Gas Spring	1	CW 170 038

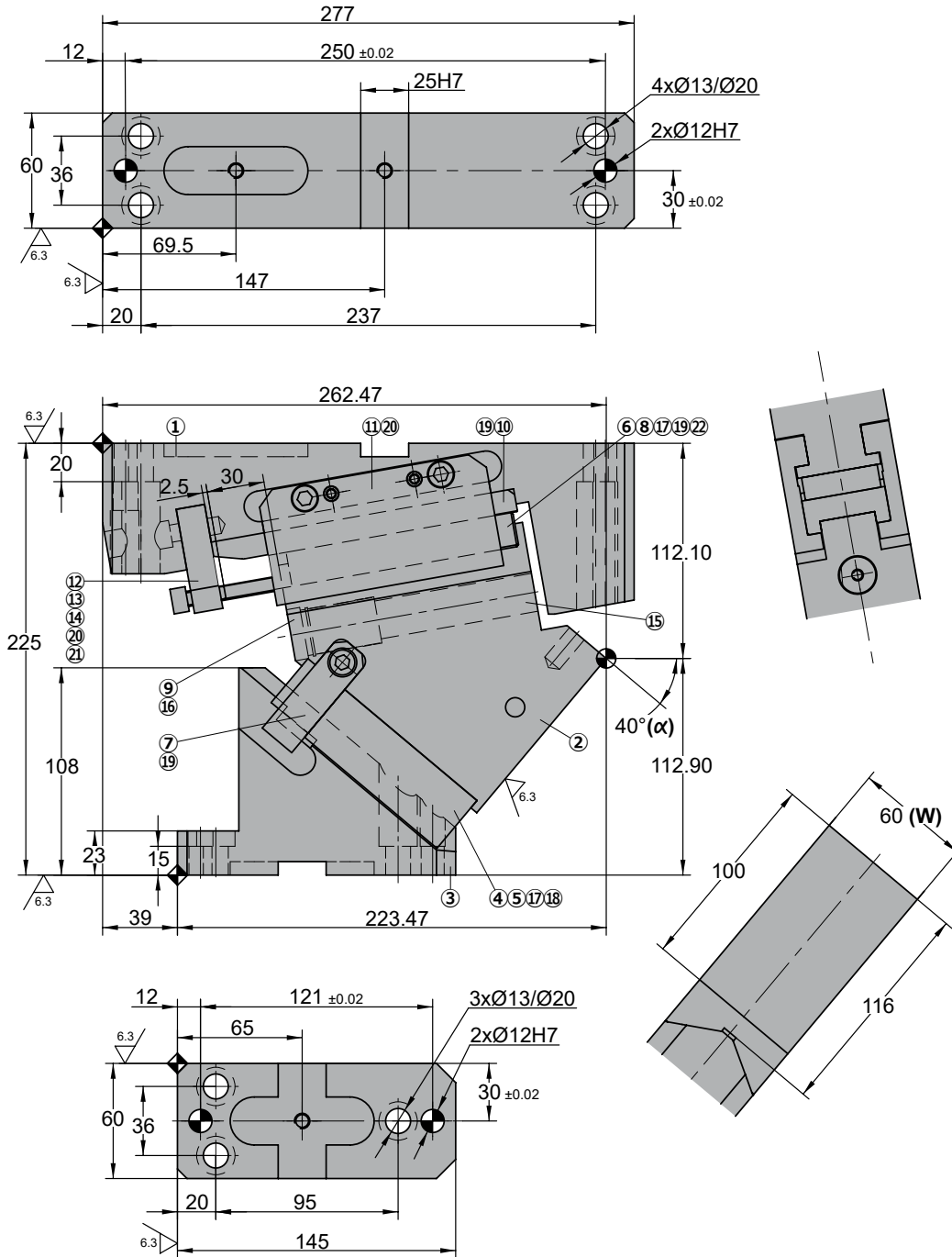
No.	Descripción	Qty.	Material
⑯	Screw	2	M8 x 45
⑰	Screw	2	M6 x 15
⑱	Screw	2	M10 x 20
⑲	Screw	9	M8 x 15
⑳	Screw	8	M8 x 20
㉑	Screw	1	M8 x 60
㉒	Dowel Pin	2	Ø8 x 25

ASVX 0060

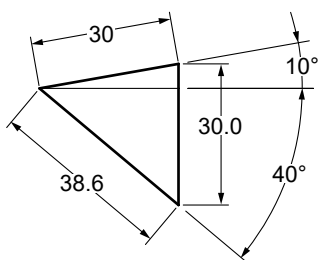
Aerial cam for pierce and flange



ASVX 0060 40



◦Cam diagram:



◦Disassembling space:



ASVX 0060

Aerial cam for pierce and flange

Stroke (mm)	Working force kN - (tons)	Spring Force N - (kgf)		Weight (Kg)	Model	W (mm)	α (mm)
		Initial F ₀	Final F ₁				
38.6	75.0 (7.6)	---	2580.6 (263.3)	17.5	ASVX	0060	40



Order: Model (W) (α)
ASVX 0060 40

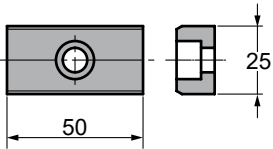
Standard order example according to catalog sheet.
 Add options applying options table contents.

OPTIONS

K

KEY

K



3 x M8x15

Order Options: Model (W) (α)-Option



ASVX 0060 40-K



SPARE PARTS:

- ④ Slide Guide
- ⑩ Slider Plate
- ⑮ Gas Spring

COMPONENTS

No.	Descripción	Qty.	Material
①	Cam Holder	1	GGG50
②	Cam Slider	1	GGG50 + G
③	Cam Driver	1	GGG50
④	Slide Guide	1	Bronze + G
⑤	Key A	1	CK45
⑥	Guide Plate	1	CK45
⑦	Positive Return	2	CK45
⑧	Key B	1	CK45
⑨	Spring Spacer	1	CK45
⑩	Slider Plate	1	Bronze + G
⑪	Side Guide	2	Bronze + G
⑫	Stopper Plate	1	CK45
⑬	Stopper	2	Urethane
⑭	Locking Stopper	1	CK45
⑮	Gas Spring	1	CW 170 038

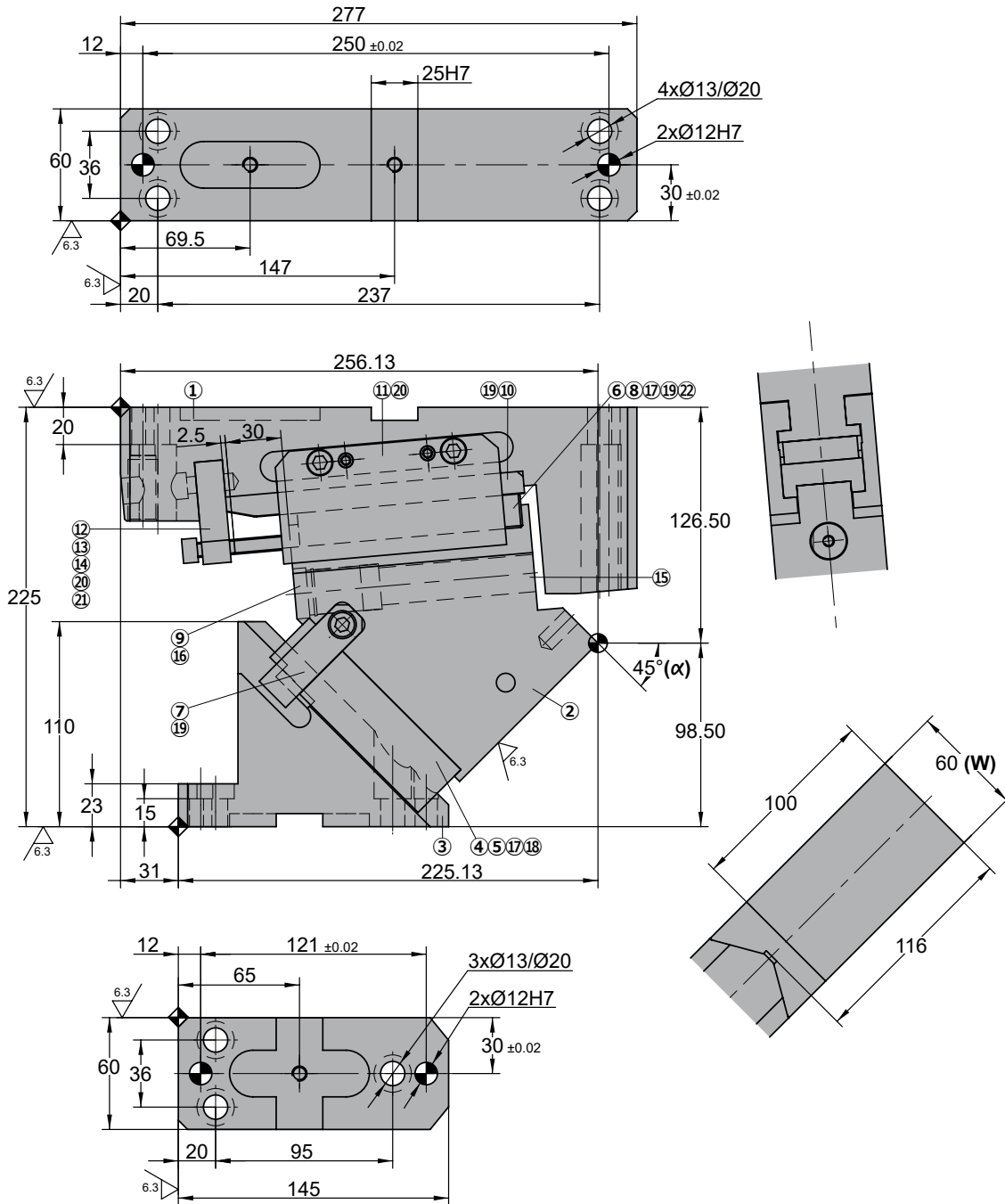
No.	Descripción	Qty.	Material
⑯	Screw	2	M8 x 45
⑰	Screw	2	M6 x 15
⑱	Screw	2	M10 x 20
⑲	Screw	9	M8 x 15
⑳	Screw	8	M8 x 20
㉑	Screw	1	M8 x 60
㉒	Dowel Pin	2	Ø8 x 25

ASVX 0060

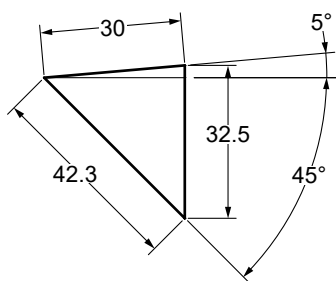
Aerial cam for pierce and flange



ASVX 0060 45



◦Cam diagram:



◦Disassembling space:



ASVX 0060

Aerial cam for pierce and flange

Stroke (mm)	Working force kN - (tons)	Spring Force N - (kgf)		Weight (Kg)	Model	W (mm)	α (mm)
		Initial F ₀	Final F ₁				
42.3	75.0 (7.6)	---	2580.6 (263.3)	17.6	ASVX	0060	45



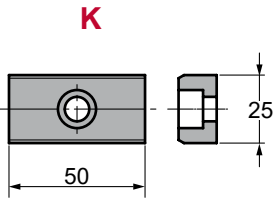
Order: Model (W) (α)
ASVX 0060 45

Standard order example according to catalog sheet.
 Add options applying options table contents.

OPTIONS

K

KEY



3 x M8x15

Order Options: Model (W) (α)-Option



ASVX 0060 45-K



SPARE PARTS:

- ④ Slide Guide
- ⑩ Slider Plate
- ⑮ Gas Spring

COMPONENTS

No.	Descripción	Qty.	Material
①	Cam Holder	1	GGG50
②	Cam Slider	1	GGG50 + G
③	Cam Driver	1	GGG50
④	Slide Guide	1	Bronze + G
⑤	Key A	1	CK45
⑥	Guide Plate	1	CK45
⑦	Positive Return	2	CK45
⑧	Key B	1	CK45
⑨	Spring Spacer	1	CK45
⑩	Slider Plate	1	Bronze + G
⑪	Side Guide	2	Bronze + G
⑫	Stopper Plate	1	CK45
⑬	Stopper	2	Urethane
⑭	Locking Stopper	1	CK45
⑮	Gas Spring	1	CW 170 038

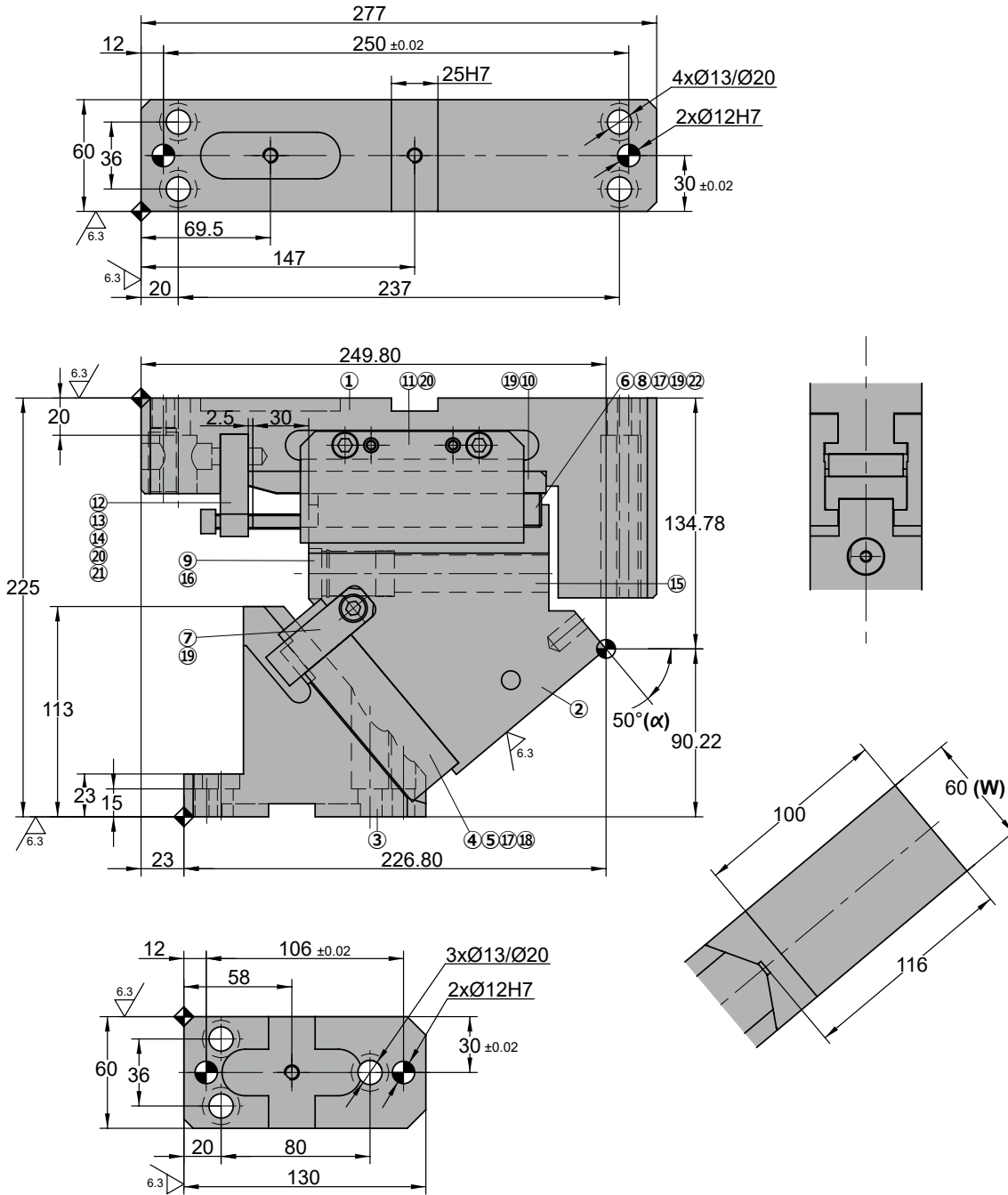
No.	Descripción	Qty.	Material
⑯	Screw	2	M8 x 45
⑰	Screw	2	M6 x 15
⑱	Screw	2	M10 x 20
⑲	Screw	9	M8 x 15
⑳	Screw	8	M8 x 20
㉑	Screw	1	M8 x 60
㉒	Dowel Pin	2	Ø8 x 25

ASVX 0060

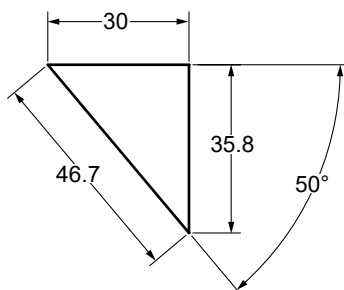
Aerial cam for pierce and flange



ASVX 0060 50

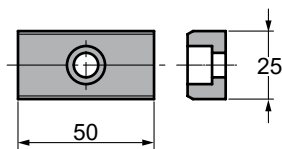


◦Cam diagram:



◦Disassembling space:

Stroke (mm)	Working force kN - (tons)	Spring Force N - (kgf)		Weight (Kg)	Model	W (mm)	α (mm)
		Initial F ₀	Final F ₁				
46.7	75.0 (7.6)	---	2580.6 (263.3)	17.5	ASVX	0060	50

Order: Model (W) (α)**ASVX 0060 50**Standard order example according to catalog sheet.
Add options applying options table contents.**OPTIONS****K****KEY****K**

3 x M8x15

Order Options: Model (W) (α)-Option**ASVX 0060 50-K****SPARE PARTS:**

- ④ Slide Guide
- ⑩ Slider Plate
- ⑮ Gas Spring

COMPONENTS

No.	Descripción	Qty.	Material
①	Cam Holder	1	GGG50
②	Cam Slider	1	GGG50 + G
③	Cam Driver	1	GGG50
④	Slide Guide	1	Bronze + G
⑤	Key A	1	CK45
⑥	Guide Plate	1	CK45
⑦	Positive Return	2	CK45
⑧	Key B	1	CK45
⑨	Spring Spacer	1	CK45
⑩	Slider Plate	1	Bronze + G
⑪	Side Guide	2	Bronze + G
⑫	Stopper Plate	1	CK45
⑬	Stopper	2	Urethane
⑭	Locking Stopper	1	CK45
⑮	Gas Spring	1	CW 170 038

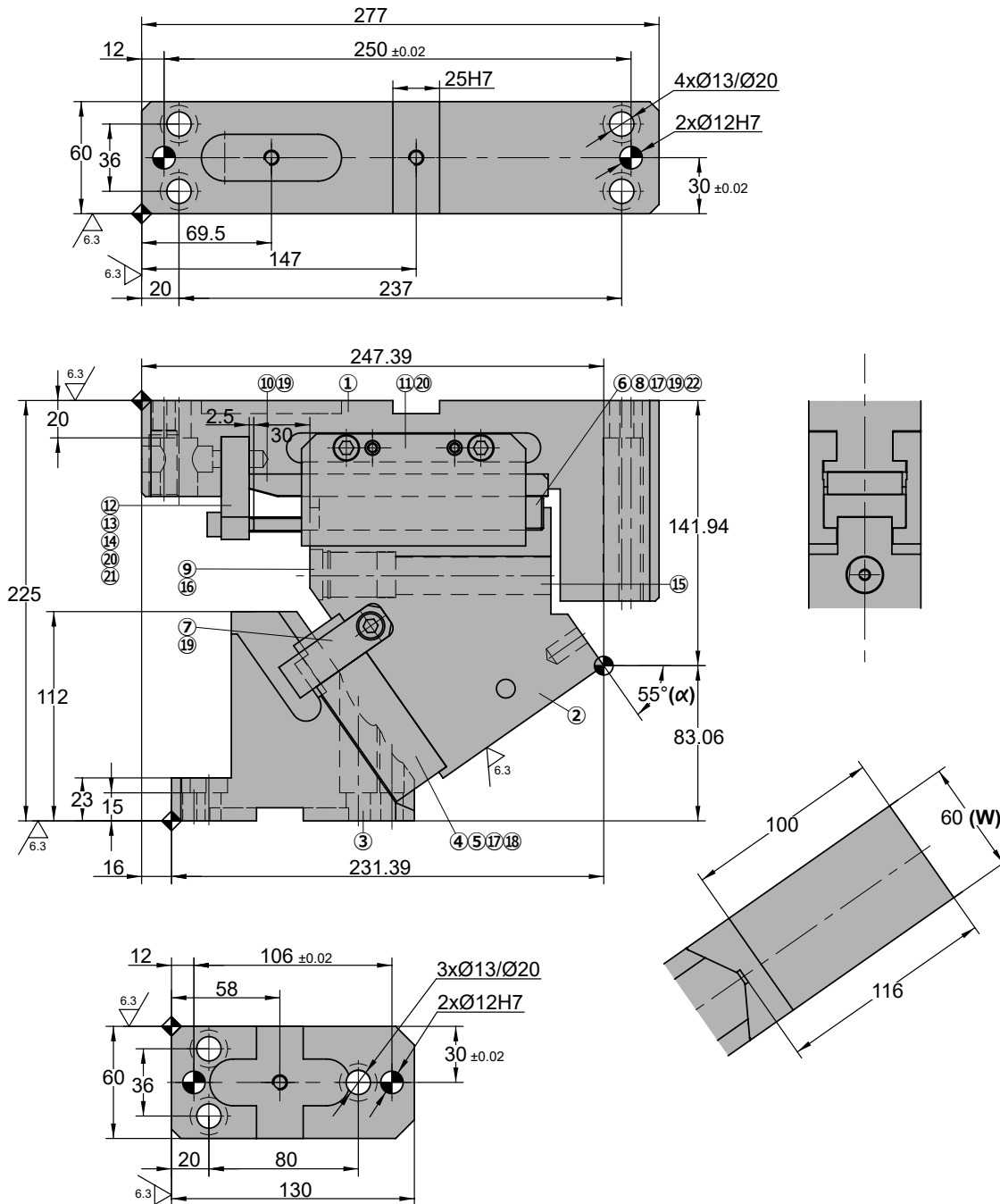
No.	Descripción	Qty.	Material
⑯	Screw	2	M8 x 45
⑰	Screw	2	M6 x 15
⑱	Screw	2	M10 x 20
⑲	Screw	9	M8 x 15
⑳	Screw	8	M8 x 20
㉑	Screw	1	M8 x 60
㉒	Dowel Pin	2	Ø8 x 25

ASVX 0060

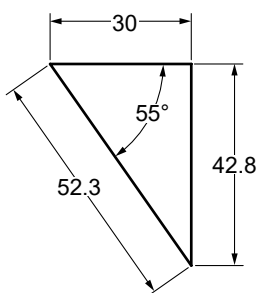
Aerial cam for pierce and flange



ASVX 0060 55



◦Cam diagram:



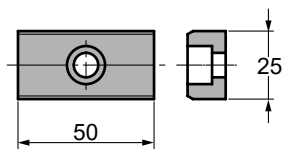
◦Disassembling space:

Stroke (mm)	Working force kN - (tons)	Spring Force N - (kgf)		Weight (Kg)	Model	W (mm)	α (mm)
		Initial F ₀	Final F ₁				
52.3	75.0 (7.6)	---	2580.6 (263.3)	17.6	ASVX	0060	55



Order: Model (W) (α)
ASVX 0060 55

Standard order example according to catalog sheet.
Add options applying options table contents.

OPTIONS**K****KEY****K**

3 x M8x15

Order Options: Model (W) (α)-Option**ASVX 0060 55-K****SPARE PARTS:**

- ④ Slide Guide
- ⑩ Slider Plate
- ⑮ Gas Spring

COMPONENTS

No.	Descripción	Qty.	Material
①	Cam Holder	1	GGG50
②	Cam Slider	1	GGG50 + G
③	Cam Driver	1	GGG50
④	Slide Guide	1	Bronze + G
⑤	Key A	1	CK45
⑥	Guide Plate	1	CK45
⑦	Positive Return	2	CK45
⑧	Key B	1	CK45
⑨	Spring Spacer	1	CK45
⑩	Slider Plate	1	Bronze + G
⑪	Side Guide	2	Bronze + G
⑫	Stopper Plate	1	CK45
⑬	Stopper	2	Urethane
⑭	Locking Stopper	1	CK45
⑮	Gas Spring	1	CW 170 038

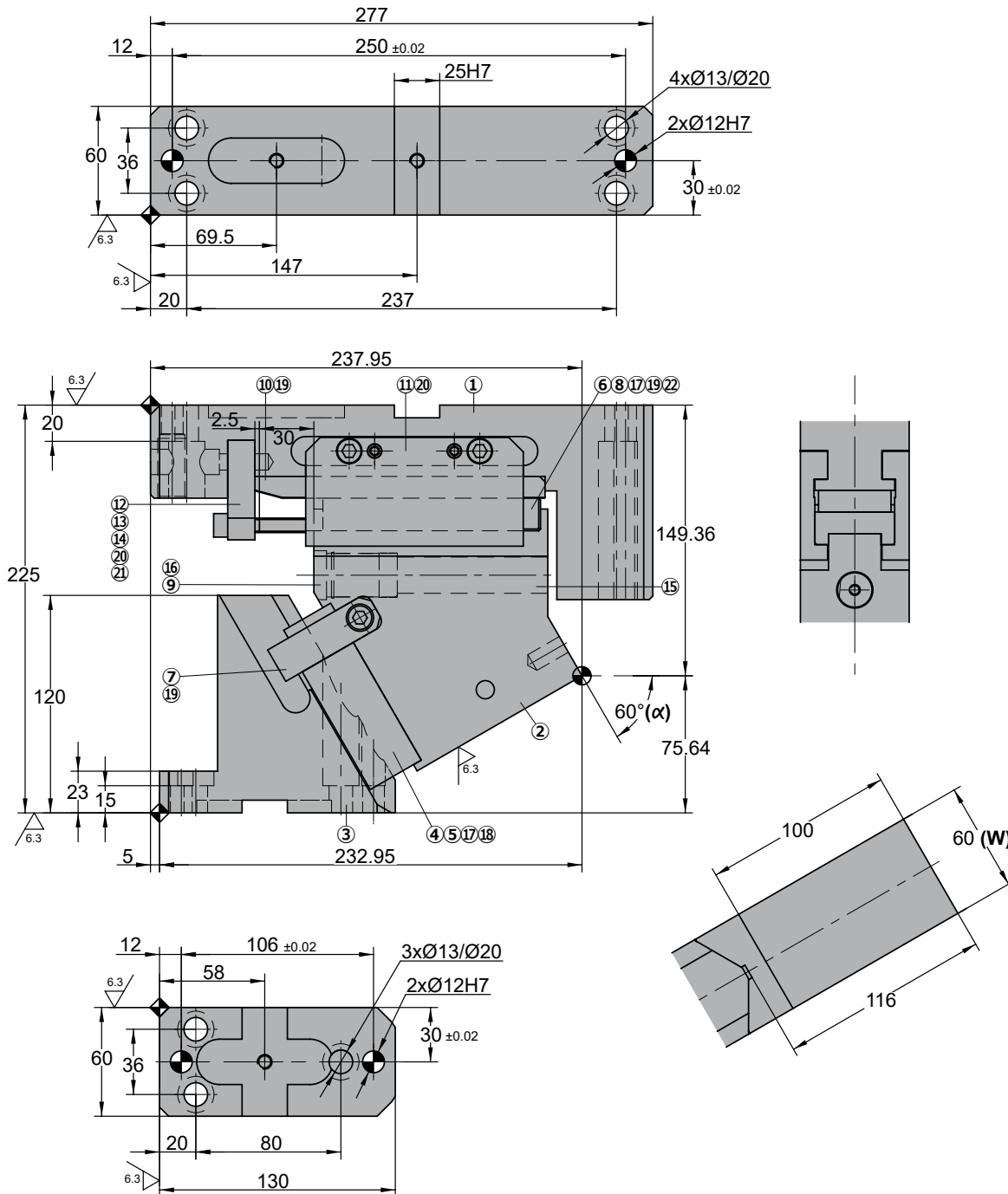
No.	Descripción	Qty.	Material
⑯	Screw	2	M8 x 45
⑰	Screw	2	M6 x 15
⑱	Screw	2	M10 x 20
⑲	Screw	9	M8 x 15
⑳	Screw	8	M8 x 20
㉑	Screw	1	M8 x 60
㉒	Dowel Pin	2	Ø8 x 25

ASVX 0060

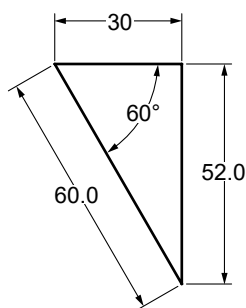
Aerial cam for pierce and flange



ASVX 0060 60



◦Cam diagram:



◦Disassembling space:



ASVX 0060

Aerial cam for pierce and flange

Stroke (mm)	Working force kN - (tons)	Spring Force N - (kgf)		Weight (Kg)	Model	W (mm)	α (mm)
		Initial F ₀	Final F ₁				
60.0	75.0 (7.6)	---	2580.6 (263.3)	17.9	ASVX	0060	60



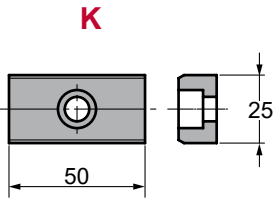
Order: Model (W) (α)
ASVX 0060 60

Standard order example according to catalog sheet.
 Add options applying options table contents.

OPTIONS

K

KEY



3 x M8x15

Order Options: Model (W) (α)-Option



ASVX 0060 60-K



SPARE PARTS:

- ④ Slide Guide
- ⑩ Slider Plate
- ⑮ Gas Spring

COMPONENTS

No.	Descripción	Qty.	Material
①	Cam Holder	1	GGG50
②	Cam Slider	1	GGG50 + G
③	Cam Driver	1	GGG50
④	Slide Guide	1	Bronze + G
⑤	Key A	1	CK45
⑥	Guide Plate	1	CK45
⑦	Positive Return	2	CK45
⑧	Key B	1	CK45
⑨	Spring Spacer	1	CK45
⑩	Slider Plate	1	Bronze + G
⑪	Side Guide	2	Bronze + G
⑫	Stopper Plate	1	CK45
⑬	Stopper	2	Urethane
⑭	Locking Stopper	1	CK45
⑮	Gas Spring	1	CW 170 038

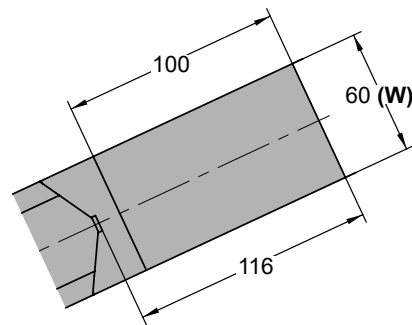
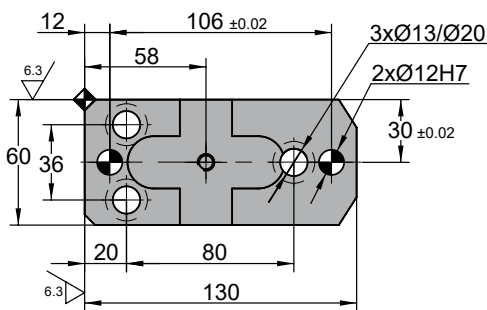
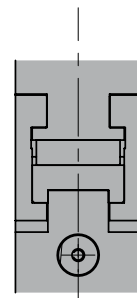
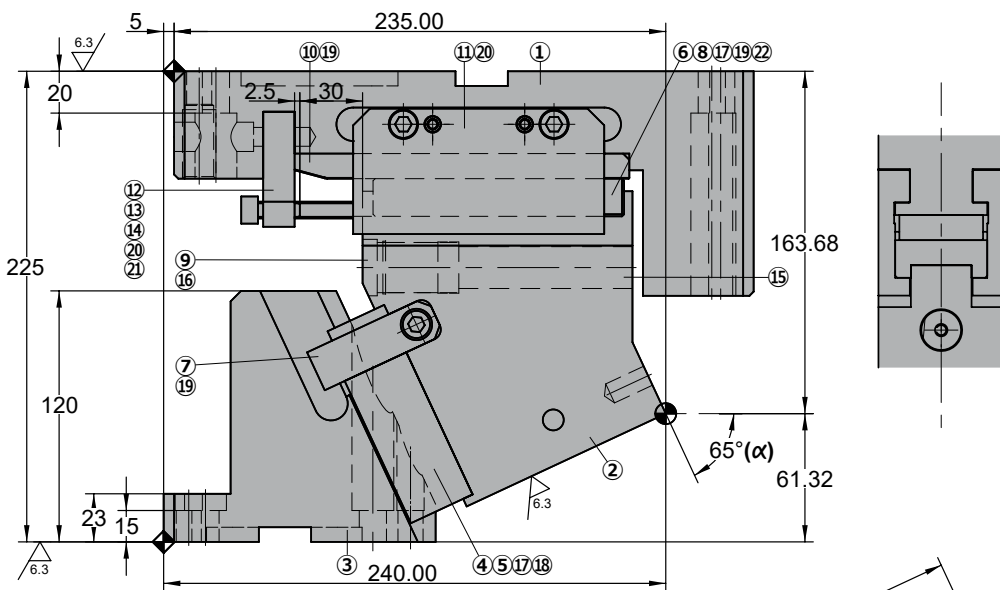
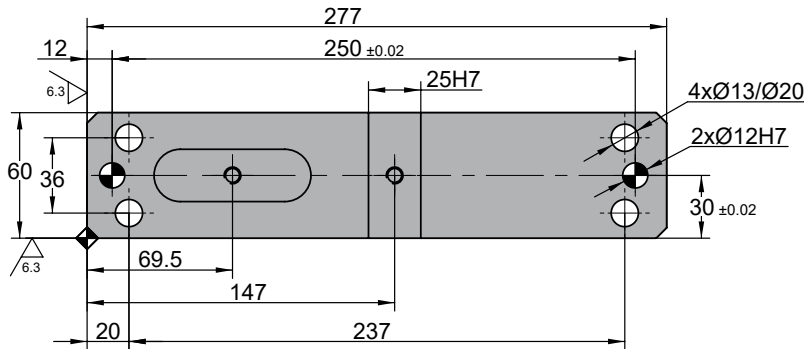
No.	Descripción	Qty.	Material
⑯	Screw	2	M8 x 45
⑰	Screw	2	M6 x 15
⑱	Screw	2	M10 x 20
⑲	Screw	9	M8 x 15
⑳	Screw	8	M8 x 20
㉑	Screw	1	M8 x 60
㉒	Dowel Pin	2	Ø8 x 25

ASVX 0060

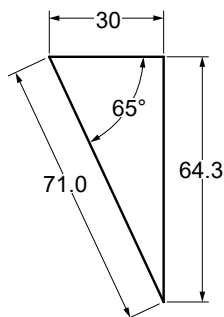
Aerial cam for pierce and flange



ASVX 0060 65



◦Cam diagram:



◦Disassembling space:



ASVX 0060

Aerial cam for pierce and flange

Stroke (mm)	Working force kN - (tons)	Spring Force N - (kgf)		Weight (Kg)	Model	W (mm)	α (mm)
		Initial F ₀	Final F ₁				
71.0	75.0 (7.6)	---	2580.6 (263.3)	18.6	ASVX	0060	65



Order: Model (W) (α)

ASVX 0060 65

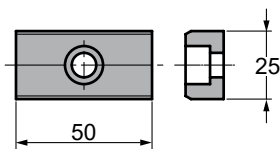
Standard order example according to catalog sheet. Add options applying options table contents.

OPTIONS

K

KEY

K



3 x M8x15

Order Options: Model (W) (α)-Option



ASVX 0060 65-K



SPARE PARTS:

- ④ Slide Guide
- ⑩ Slider Plate
- ⑮ Gas Spring

COMPONENTS

No.	Descripción	Qty.	Material
①	Cam Holder	1	GGG50
②	Cam Slider	1	GGG50 + G
③	Cam Driver	1	GGG50
④	Slide Guide	1	Bronze + G
⑤	Key A	1	CK45
⑥	Guide Plate	1	CK45
⑦	Positive Return	2	CK45
⑧	Key B	1	CK45
⑨	Spring Spacer	1	CK45
⑩	Slider Plate	1	Bronze + G
⑪	Side Guide	2	Bronze + G
⑫	Stopper Plate	1	CK45
⑬	Stopper	2	Urethane
⑭	Locking Stopper	1	CK45
⑮	Gas Spring	1	CW 170 038

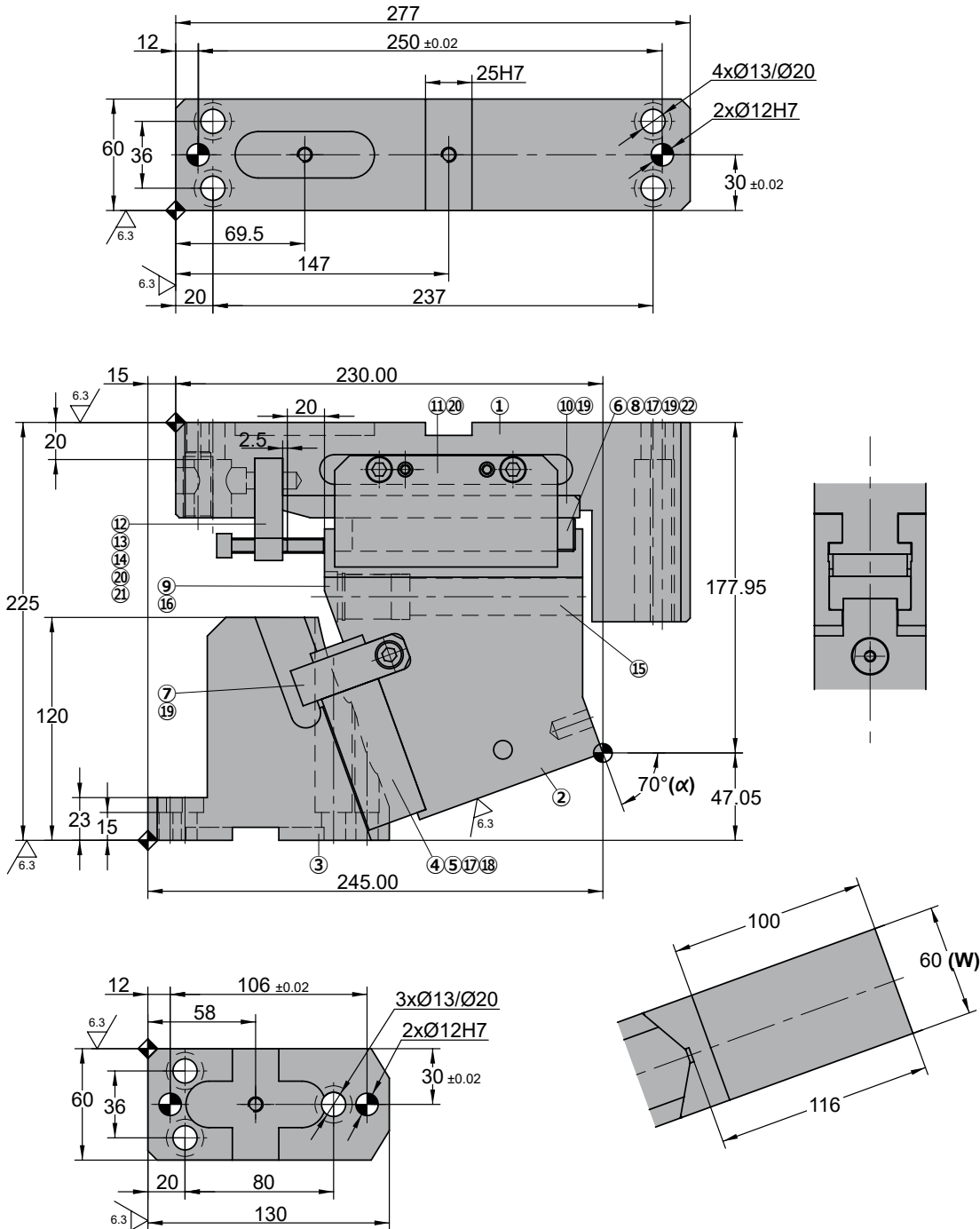
No.	Descripción	Qty.	Material
⑯	Screw	2	M8 x 45
⑰	Screw	2	M6 x 15
⑱	Screw	2	M10 x 20
⑲	Screw	9	M8 x 15
⑳	Screw	8	M8 x 20
㉑	Screw	1	M8 x 60
㉒	Dowel Pin	2	Ø8 x 25

ASVX 0060

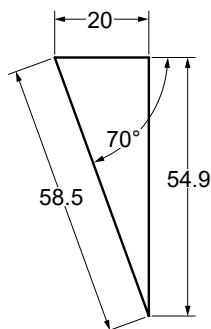
Aerial cam for pierce and flange



ASVX 0060 70



◦Cam diagram:



◦Disassembling space:



ASVX 0060

Aerial cam for pierce and flange

Stroke (mm)	Working force kN - (tons)	Spring Force N - (kgf)		Weight (Kg)	Model	W (mm)	α (mm)
		Initial F ₀	Final F ₁				
58.5	75.0 (7.6)	---	2583.7 (263.6)	18.8	ASVX	0060	70



Order: Model (W) (α)
ASVX 0060 70

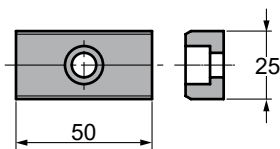
Standard order example according to catalog sheet.
Add options applying options table contents.

OPTIONS

K

KEY

K



3 x M8x15

Order Options: Model (W) (α)-Option



ASVX 0060 70-K



SPARE PARTS:

- ④ Slide Guide
- ⑩ Slider Plate
- ⑮ Gas Spring

COMPONENTS

No.	Descripción	Qty.	Material
①	Cam Holder	1	GGG50
②	Cam Slider	1	GGG50 + G
③	Cam Driver	1	GGG50
④	Slide Guide	1	Bronze + G
⑤	Key A	1	CK45
⑥	Guide Plate	1	CK45
⑦	Positive Return	2	CK45
⑧	Key B	1	CK45
⑨	Spring Spacer	1	CK45
⑩	Slider Plate	1	Bronze + G
⑪	Side Guide	2	Bronze + G
⑫	Stopper Plate	1	CK45
⑬	Stopper	2	Urethane
⑭	Locking Stopper	1	CK45
⑮	Gas Spring	1	CW 170 025

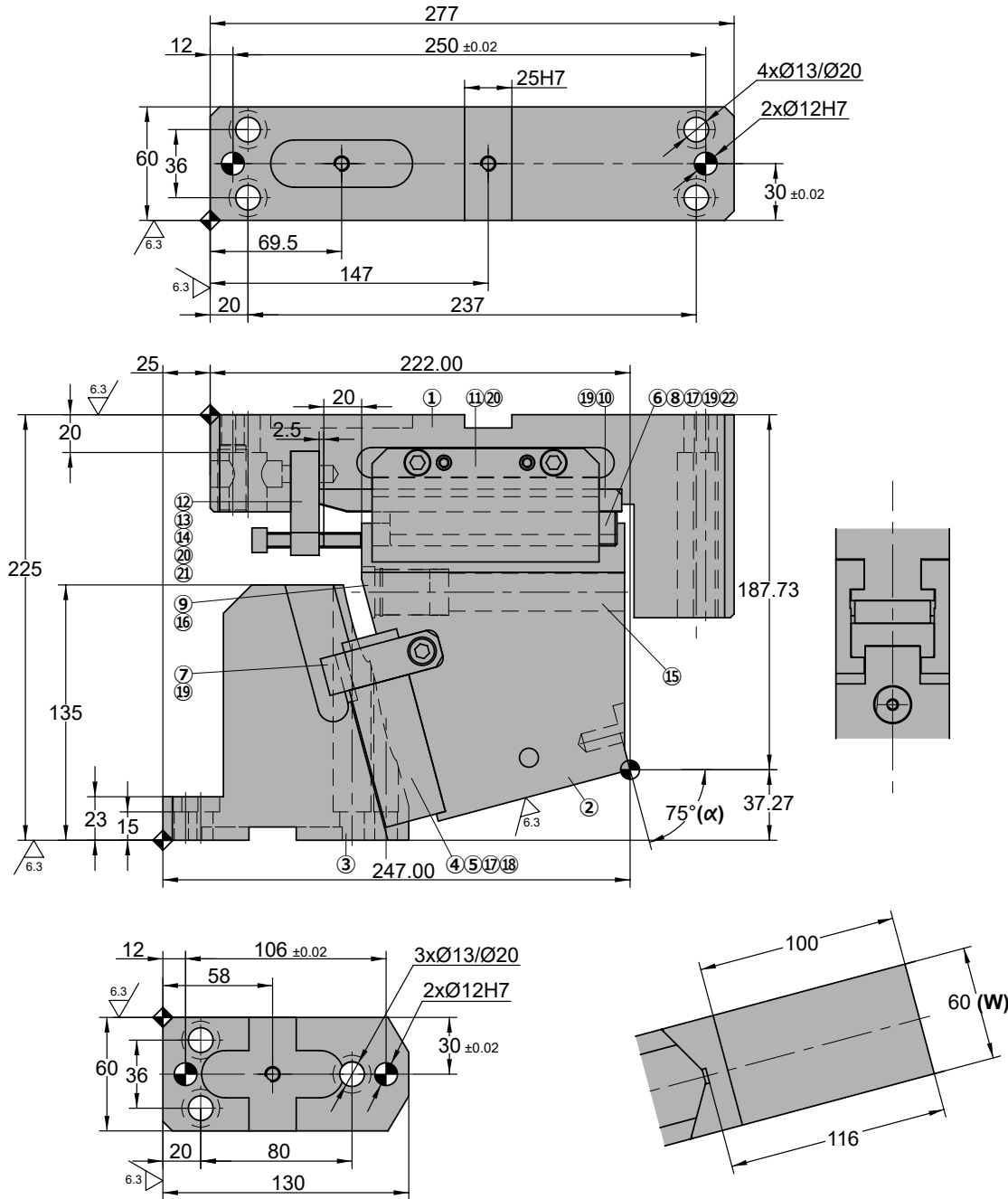
No.	Descripción	Qty.	Material
⑯	Screw	2	M8 x 45
⑰	Screw	2	M6 x 15
⑱	Screw	2	M10 x 20
⑲	Screw	9	M8 x 15
⑳	Screw	8	M8 x 20
㉑	Screw	1	M8 x 50
㉒	Dowel Pin	2	Ø8 x 25

ASVX 0060

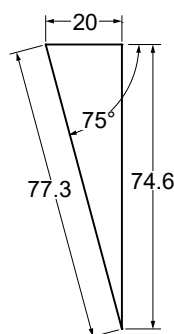
Aerial cam for pierce and flange



ASVX 0060 75



◦Cam diagram:



◦Disassembling space:



ASVX 0060

Aerial cam for pierce and flange

Stroke (mm)	Working force kN - (tons)	Spring Force N - (kgf)		Weight (Kg)	Model	W (mm)	α (mm)
		Initial F ₀	Final F ₁				
77.3	75.0 (7.6)	---	2583.7 (263.6)	19.7	ASVX	0060	75



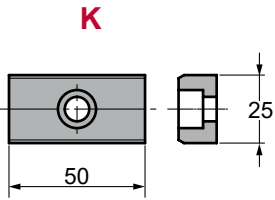
Order: Model (W) (α)
ASVX 0060 75

Standard order example according to catalog sheet.
 Add options applying options table contents.

OPTIONS

K

KEY



3 x M8x15

Order Options: Model (W) (α)-Option



ASVX 0060 75-K



SPARE PARTS:

- ④ Slide Guide
- ⑩ Slider Plate
- ⑮ Gas Spring

COMPONENTS

No.	Descripción	Qty.	Material
①	Cam Holder	1	GGG50
②	Cam Slider	1	GGG50 + G
③	Cam Driver	1	GGG50
④	Slide Guide	1	Bronze + G
⑤	Key A	1	CK45
⑥	Guide Plate	1	CK45
⑦	Positive Return	2	CK45
⑧	Key B	1	CK45
⑨	Spring Spacer	1	CK45
⑩	Slider Plate	1	Bronze + G
⑪	Side Guide	2	Bronze + G
⑫	Stopper Plate	1	CK45
⑬	Stopper	2	Urethane
⑭	Locking Stopper	1	CK45
⑮	Gas Spring	1	CW 170 025

No.	Descripción	Qty.	Material
⑯	Screw	2	M8 x 45
⑰	Screw	2	M6 x 15
⑱	Screw	2	M10 x 20
⑲	Screw	9	M8 x 15
⑳	Screw	8	M8 x 20
㉑	Screw	1	M8 x 50
㉒	Dowel Pin	2	Ø8 x 25

ASVX 0060

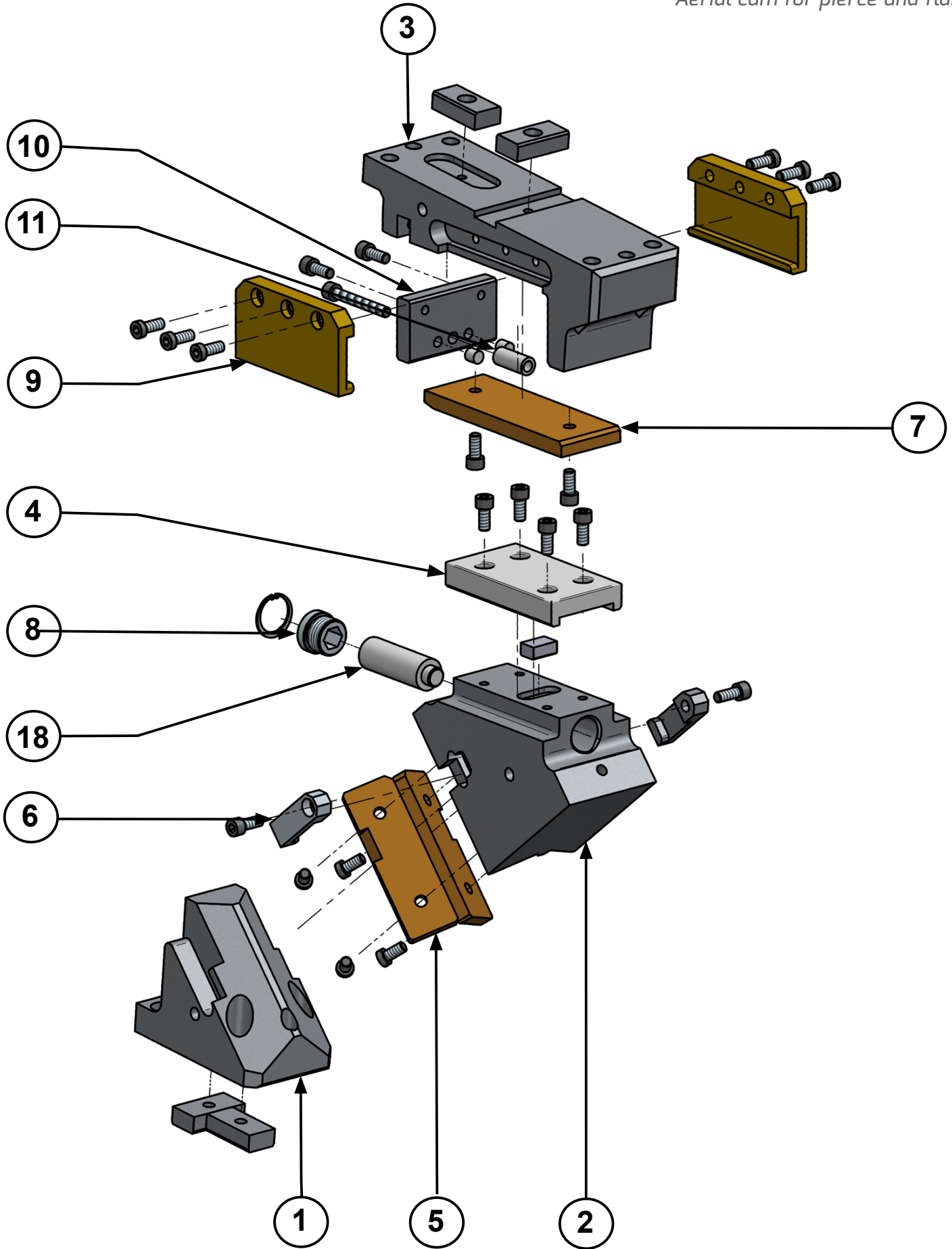


Aerial cam for pierce and flange



ASVX 0085

Aerial cam for pierce and flange

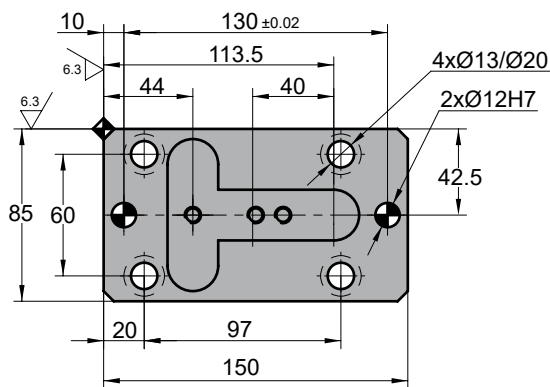
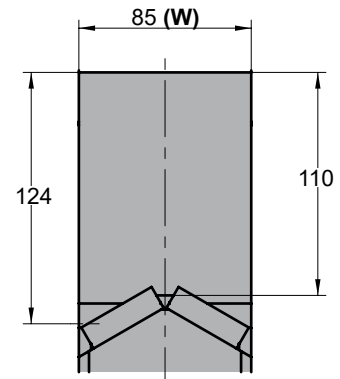
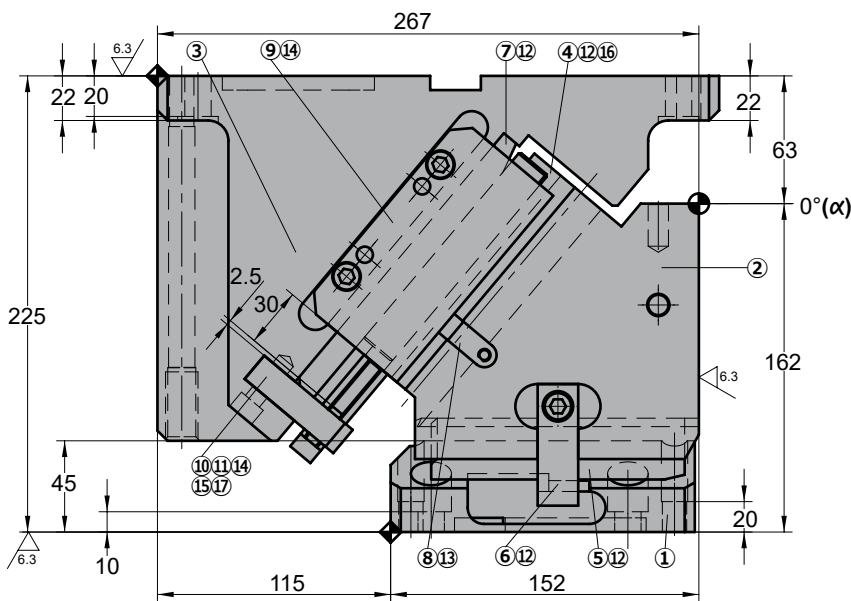
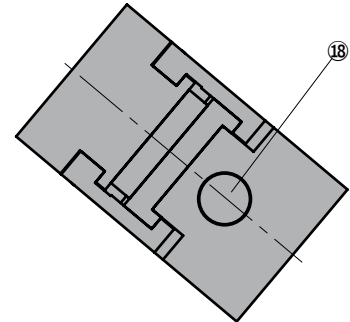
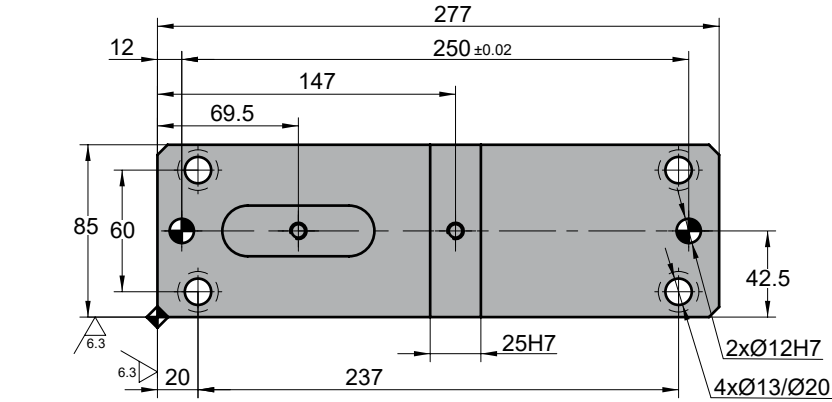


ASVX 0085

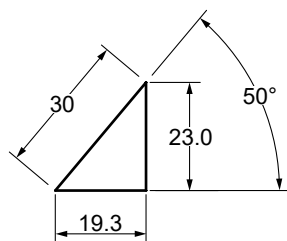
Aerial cam for pierce and flange



ASVX 0085 00



Cam diagram:



Disassembling space:



ASVX 0085

Aerial cam for pierce and flange

Stroke (mm)	Working force kN - (tons)	Spring Force N - (kgf)		Weight (Kg)	Model	W (mm)	α (mm)
		Initial F ₀	Final F ₁				
19.3	100.0 (10.2)	---	5170.4 (527.5)	28.2	ASVX	0085	00

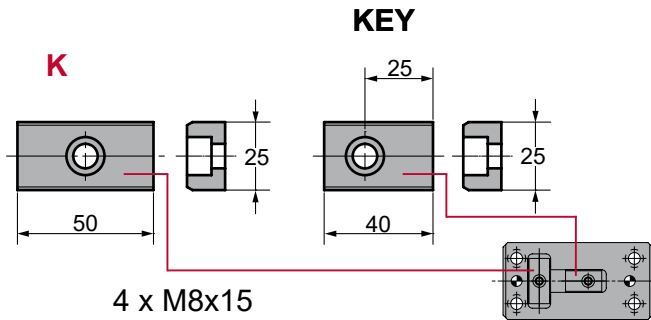


Order: Model (W) (α)
ASCB 0085 00

Standard order example according to catalog sheet. Add options applying options table contents.

OPTIONS

K



Order Options: Model (W) (α)-Option



ASVX 0085 00-K



SPARE PARTS:

- ⑤ Slider Plate 2
- ⑦ Slider Plate 3
- ⑱ Gas Spring

COMPONENTS

No.	Descripción	Qty.	Material
①	Cam Driver	1	GGG60
②	Cam Slider	1	GGG60
③	Cam Holder	1	GGG60
④	Slider Plate 1	1	CK45
⑤	Slider Plate 2	2	Bronze + G
⑥	Positive Return 1	2	CK45
⑦	Slider Plate 3	1	Bronze + G
⑧	Stopper Plate 1	2	CK45
⑨	Positive Return 2	2	Bronze + G
⑩	Stopper Plate 2	1	CK45
⑪	Locking Stopper	1	CK45
⑫	Screw	16	M8 x 15
⑬	Screw	2	M8 x 45
⑭	Screw	8	M8 x 20
⑮	Screw	1	M8 x 60

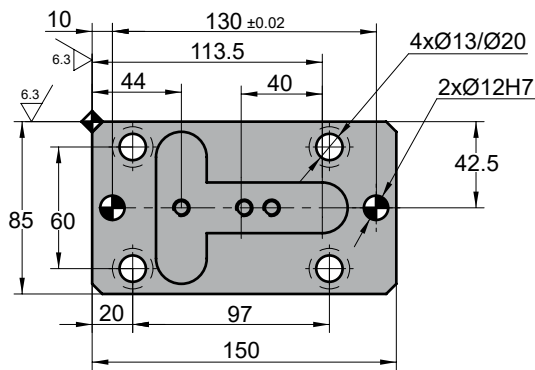
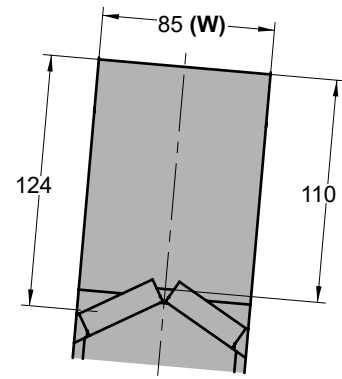
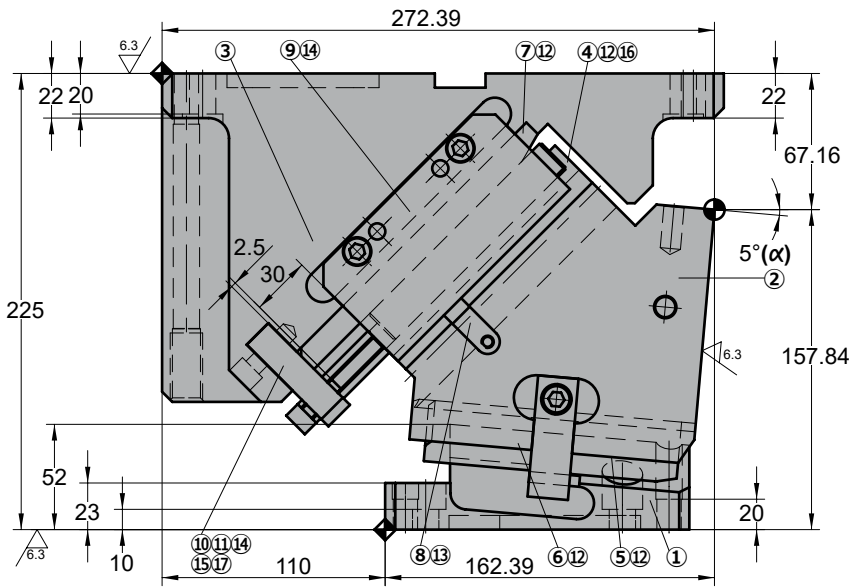
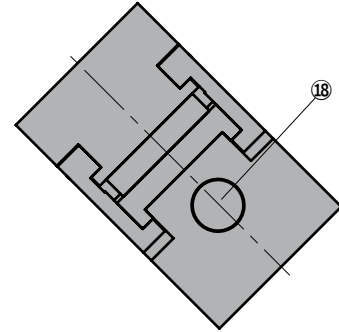
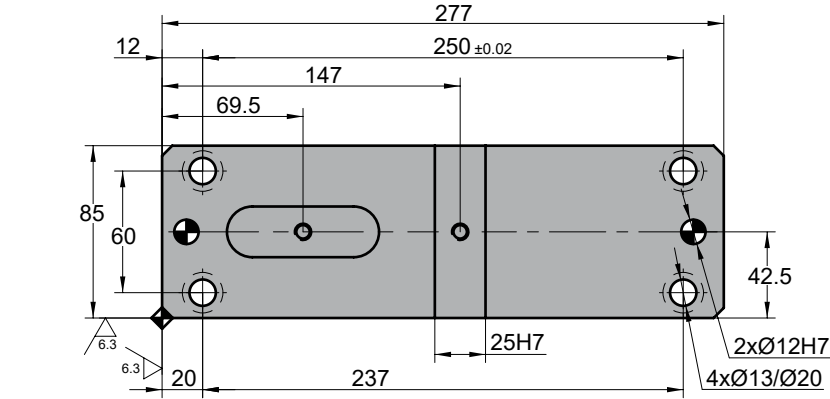
No.	Descripción	Qty.	Material
⑯	Dowel Pin	2	Ø8 x 45
⑰	Stopper	2	Urethane
⑱	Gas Spring	1	CW 320 038

ASVX 0085

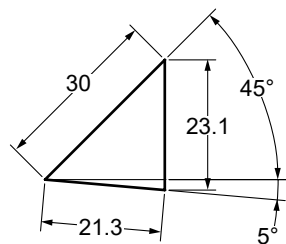
Aerial cam for pierce and flange



ASVX 0085 05



Cam diagram:



Disassembling space:



ASVX 0085

Aerial cam for pierce and flange

Stroke (mm)	Working force kN - (tons)	Spring Force N - (kgf)		Weight (Kg)	Model	W (mm)	α (mm)
		Initial F ₀	Final F ₁				
21.3	100.0 (10.2)	---	5170.4 (527.5)	27.5	ASVX	0085	05



Order: Model (W) (α)
ASVX 0085 05

Standard order example according to catalog sheet. Add options applying options table contents.

OPTIONS

K

KEY

Order Options: Model (W) (α)-Option



ASVX 0085 05-K



SPARE PARTS:

- ⑤ Slider Plate 2
- ⑦ Slider Plate 3
- ⑱ Gas Spring

COMPONENTS

No.	Descripción	Qty.	Material
①	Cam Driver	1	GGG60
②	Cam Slider	1	GGG60
③	Cam Holder	1	GGG60
④	Slider Plate 1	1	CK45
⑤	Slider Plate 2	2	Bronze + G
⑥	Positive Return 1	2	CK45
⑦	Slider Plate 3	1	Bronze + G
⑧	Stopper Plate 1	2	CK45
⑨	Positive Return 2	2	Bronze + G
⑩	Stopper Plate 2	1	CK45
⑪	Locking Stopper	1	CK45
⑫	Screw	16	M8 x 15
⑬	Screw	2	M8 x 45
⑭	Screw	8	M8 x 20
⑮	Screw	1	M8 x 60

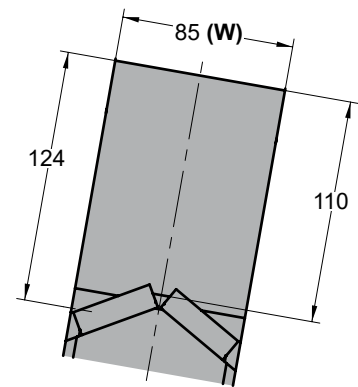
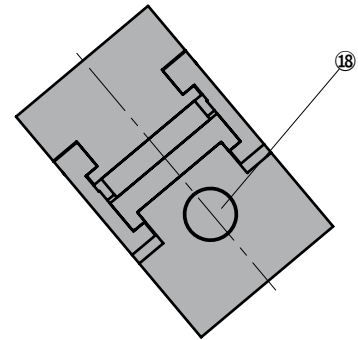
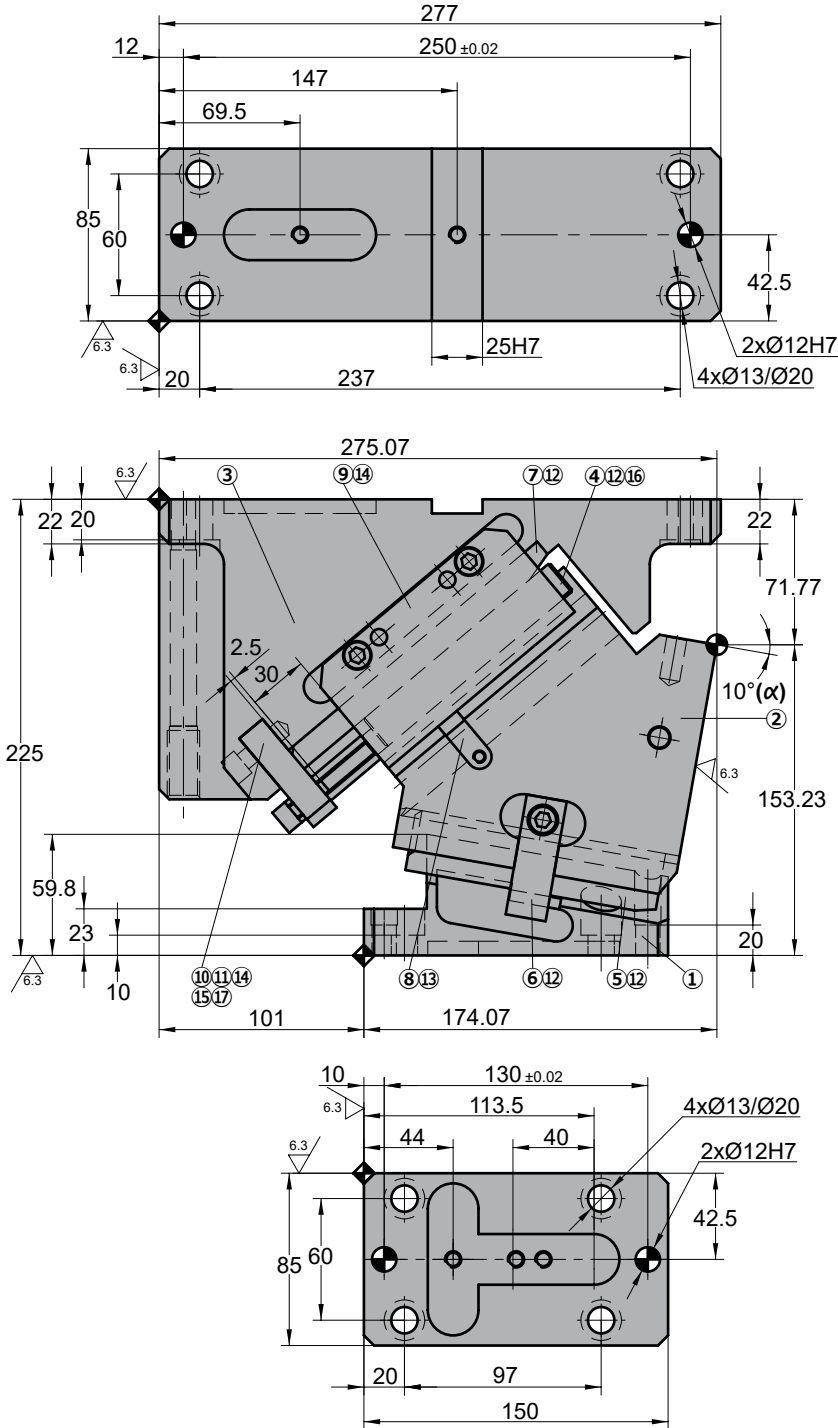
No.	Descripción	Qty.	Material
⑯	Dowel Pin	2	Ø8 x 45
⑰	Stopper	2	Urethane
⑱	Gas Spring	1	CW 320 038

ASVX 0085

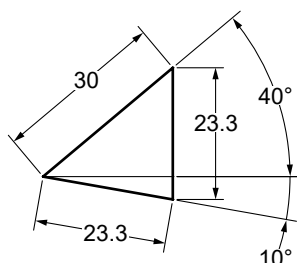
Aerial cam for pierce and flange



ASVX 0085 10



◦Cam diagram:



◦Disassembling space:



ASVX 0085

Aerial cam for pierce and flange

Stroke (mm)	Working force kN - (tons)	Spring Force N - (kgf)		Weight (Kg)	Model	W (mm)	α (mm)
		Initial F ₀	Final F ₁				
23.3	100.0 (10.2)	---	5170.4 (527.5)	26.6	ASVX	0085	10



Order: Model (W) (α)
ASVX 0085 10

Standard order example according to catalog sheet. Add options applying options table contents.

OPTIONS

K

KEY

Order Options: Model (W) (α)-Option



ASVX 0085 10-K



SPARE PARTS:

- ⑤ Slider Plate 2
- ⑦ Slider Plate 3
- ⑱ Gas Spring

COMPONENTS

No.	Descripción	Qty.	Material
①	Cam Driver	1	GGG60
②	Cam Slider	1	GGG60
③	Cam Holder	1	GGG60
④	Slider Plate 1	1	CK45
⑤	Slider Plate 2	2	Bronze + G
⑥	Positive Return 1	2	CK45
⑦	Slider Plate 3	1	Bronze + G
⑧	Stopper Plate 1	2	CK45
⑨	Positive Return 2	2	Bronze + G
⑩	Stopper Plate 2	1	CK45
⑪	Locking Stopper	1	CK45
⑫	Screw	16	M8 x 15
⑬	Screw	2	M8 x 45
⑭	Screw	8	M8 x 20
⑮	Screw	1	M8 x 60

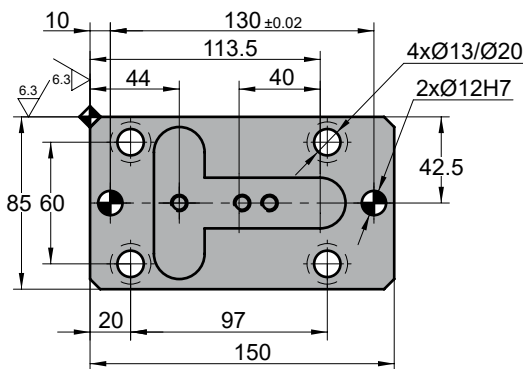
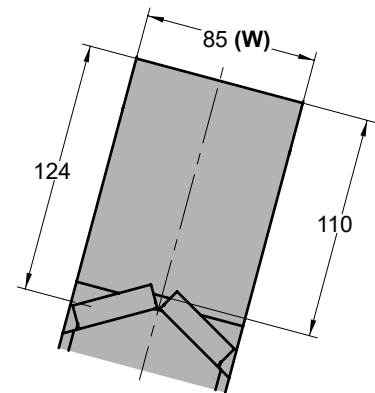
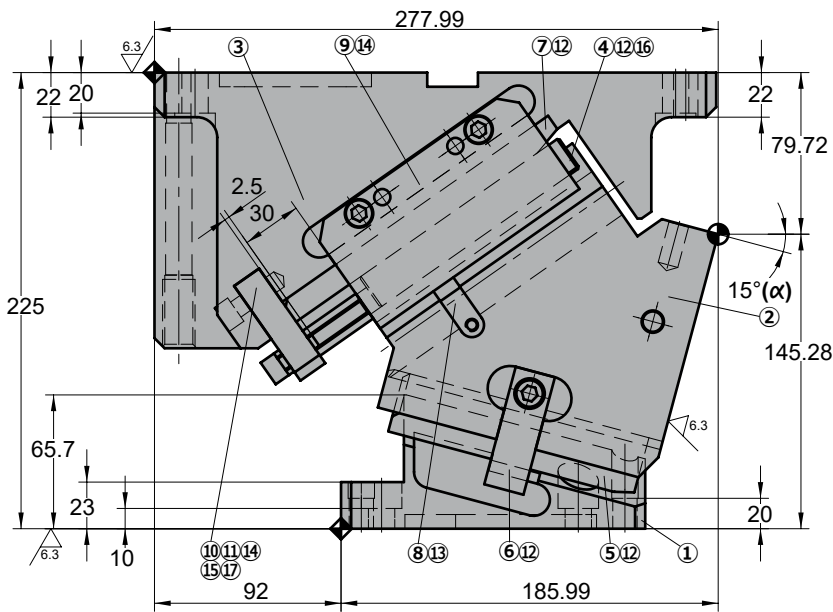
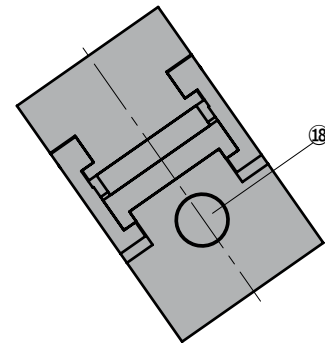
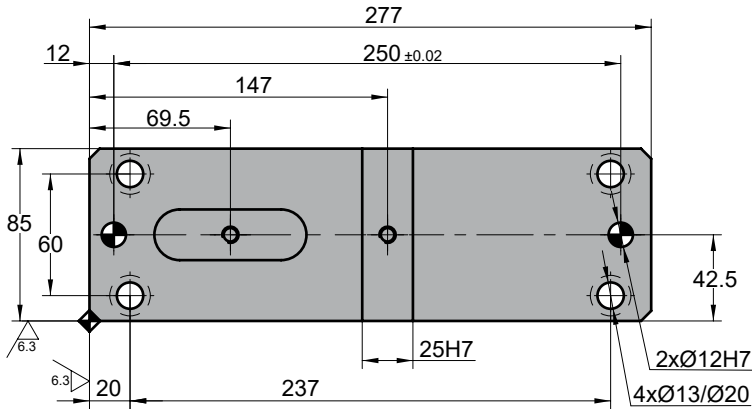
No.	Descripción	Qty.	Material
⑯	Dowel Pin	2	Ø8 x 45
⑰	Stopper	2	Urethane
⑱	Gas Spring	1	CW 320 038

ASVX 0085

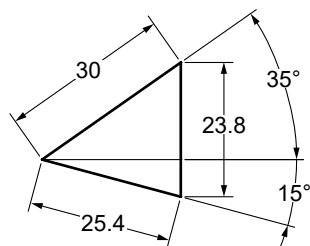
Aerial cam for pierce and flange



ASVX 0085 15



Cam diagram:



Disassembling space:



ASVX 0085

Aerial cam for pierce and flange

Stroke (mm)	Working force kN - (tons)	Spring Force N - (kgf)		Weight (Kg)	Model	W (mm)	α (mm)
		Initial F ₀	Final F ₁				
25.4	100.0 (10.2)	---	5170.4 (527.5)	26.3	ASVX	0085	15



Order: Model (W) (α)
ASVX 0085 15

Standard order example according to catalog sheet. Add options applying options table contents.

OPTIONS

K

4 x M8x15

KEY

Order Options: Model (W) (α)-Option



ASVX 0085 15-K



SPARE PARTS:

- ⑤ Slider Plate 2
- ⑦ Slider Plate 3
- ⑱ Gas Spring

COMPONENTS

No.	Descripción	Qty.	Material
①	Cam Driver	1	GGG60
②	Cam Slider	1	GGG60
③	Cam Holder	1	GGG60
④	Slider Plate 1	1	CK45
⑤	Slider Plate 2	2	Bronze + G
⑥	Positive Return 1	2	CK45
⑦	Slider Plate 3	1	Bronze + G
⑧	Stopper Plate 1	2	CK45
⑨	Positive Return 2	2	Bronze + G
⑩	Stopper Plate 2	1	CK45
⑪	Locking Stopper	1	CK45
⑫	Screw	16	M8 x 15
⑬	Screw	2	M8 x 45
⑭	Screw	8	M8 x 20
⑮	Screw	1	M8 x 60

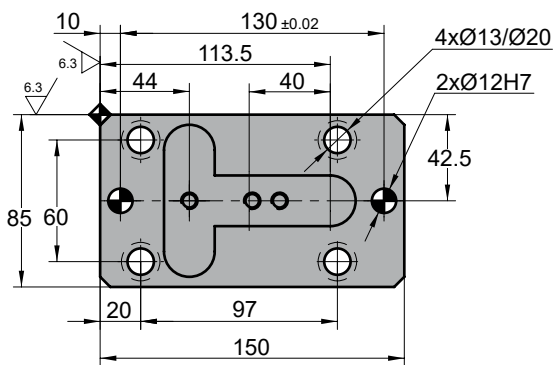
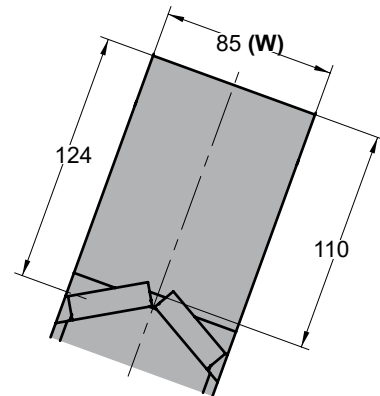
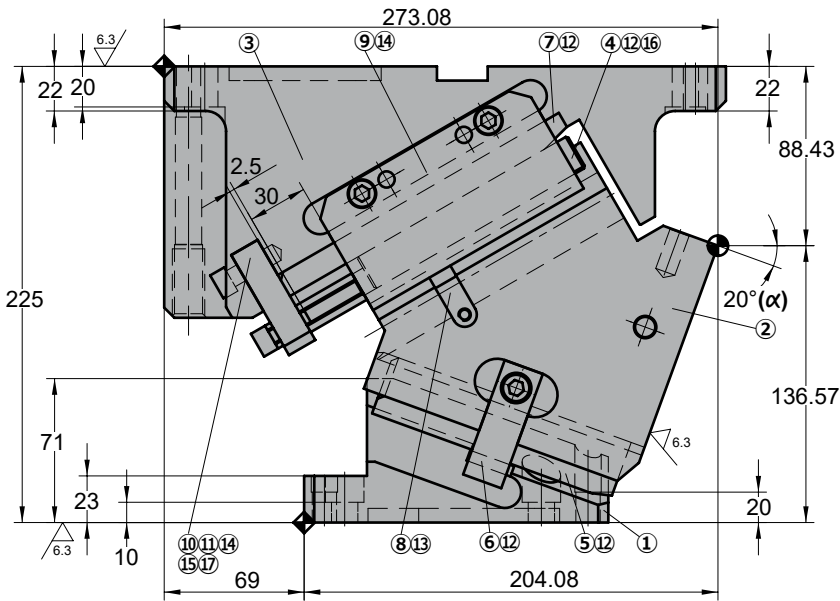
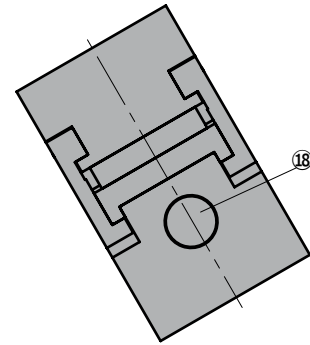
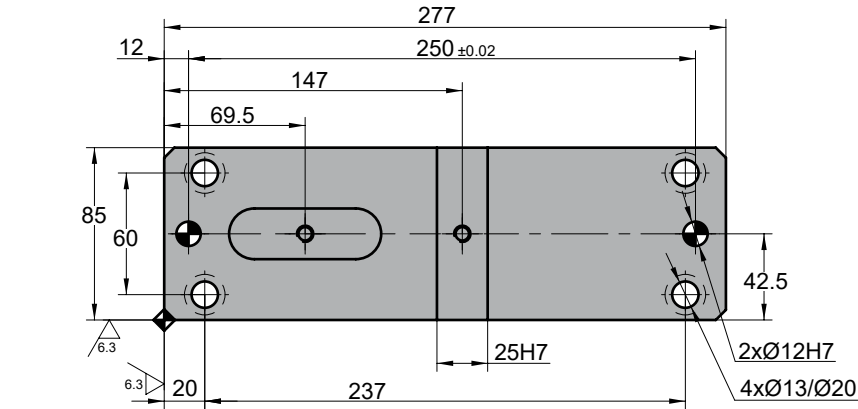
No.	Descripción	Qty.	Material
⑯	Dowel Pin	2	Ø8 x 45
⑰	Stopper	2	Urethane
⑱	Gas Spring	1	CW 320 038

ASVX 0085

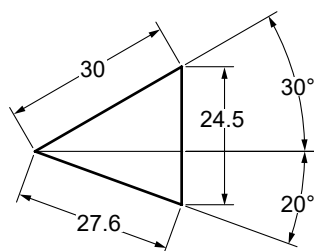
Aerial cam for pierce and flange



ASVX 0085 20



◦Cam diagram:



◦Disassembling space:



ASVX 0085

Aerial cam for pierce and flange

Stroke (mm)	Working force kN - (tons)	Spring Force N - (kgf)		Weight (Kg)	Model	W (mm)	α (mm)
		Initial F ₀	Final F ₁				
27.6	100.0 (10.2)	---	5170.4 (527.5)	26.1	ASVX	0085	20



Order: **Model (W) (α)**
ASVX 0085 20

Standard order example according to catalog sheet. Add options applying options table contents.

OPTIONS

K

KEY

Order Options: **Model (W) (α)-Option**



ASVX 0085 20-K



SPARE PARTS:

- ⑤ Slider Plate 2
- ⑦ Slider Plate 3
- ⑱ Gas Spring

COMPONENTS

No.	Descripción	Qty.	Material
①	Cam Driver	1	GGG60
②	Cam Slider	1	GGG60
③	Cam Holder	1	GGG60
④	Slider Plate 1	1	CK45
⑤	Slider Plate 2	2	Bronze + G
⑥	Positive Return 1	2	CK45
⑦	Slider Plate 3	1	Bronze + G
⑧	Stopper Plate 1	2	CK45
⑨	Positive Return 2	2	Bronze + G
⑩	Stopper Plate 2	1	CK45
⑪	Locking Stopper	1	CK45
⑫	Screw	16	M8 x 15
⑬	Screw	2	M8 x 45
⑭	Screw	8	M8 x 20
⑮	Screw	1	M8 x 60

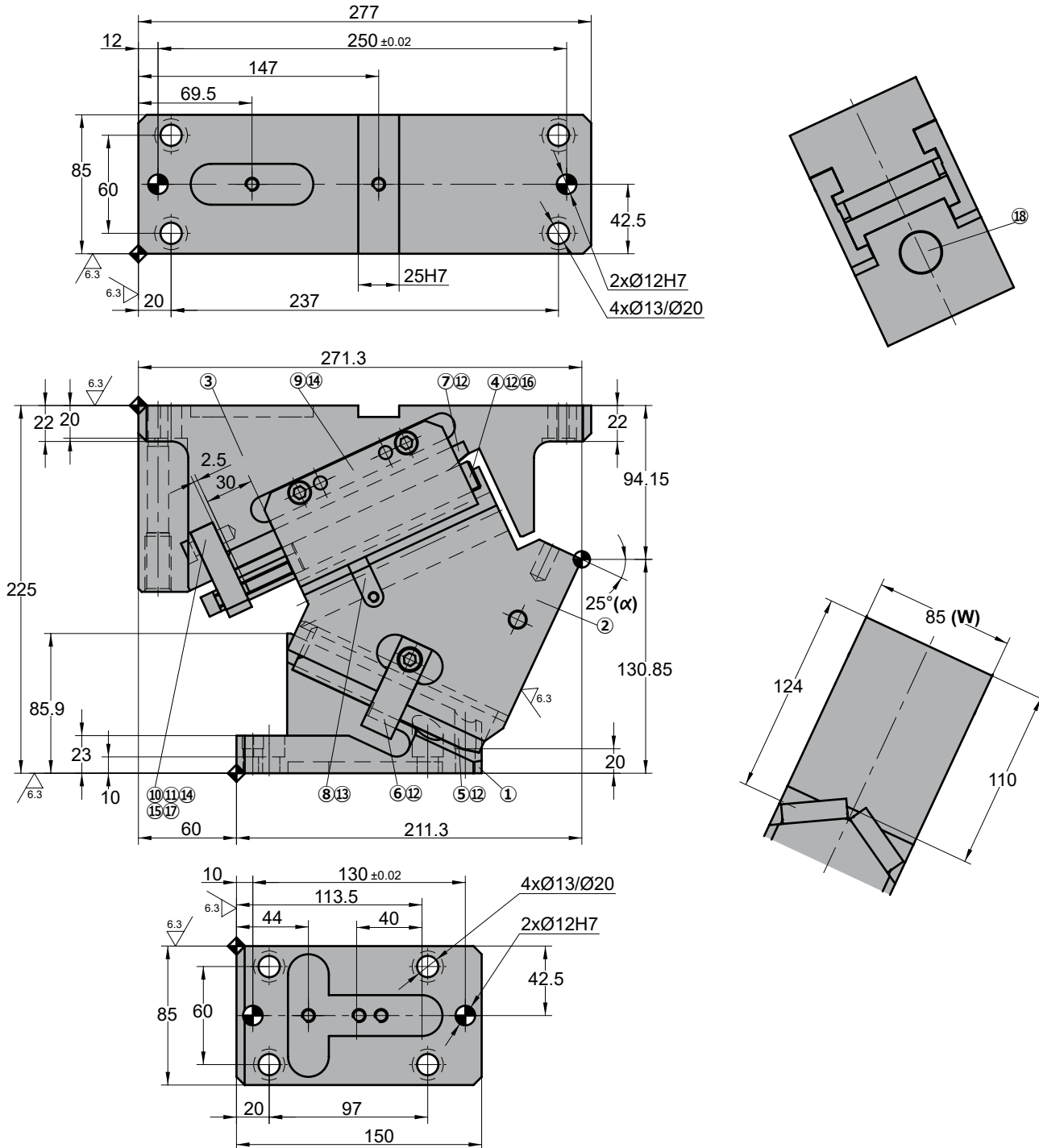
No.	Descripción	Qty.	Material
⑯	Dowel Pin	2	Ø8 x 45
⑰	Stopper	2	Urethane
⑱	Gas Spring	1	CW 320 038

ASVX 0085

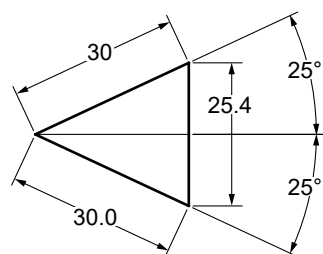
Aerial cam for pierce and flange



ASVX 0085 25



◦Cam diagram:



◦Disassembling space:



ASVX 0085

Aerial cam for pierce and flange

Stroke (mm)	Working force kN - (tons)	Spring Force N - (kgf)		Weight (Kg)	Model	W (mm)	α (mm)
		Initial F ₀	Final F ₁				
30.0	100.0 (10.2)	---	5170.4 (527.5)	26.1	ASVX	0085	25



Order: Model (W) (α)
ASVX 0085 25

Standard order example according to catalog sheet. Add options applying options table contents.

OPTIONS

K

KEY

Order Options: Model (W) (α)-Option



ASVX 0085 25-K



SPARE PARTS:

- ⑤ Slider Plate 2
- ⑦ Slider Plate 3
- ⑱ Gas Spring

COMPONENTS

No.	Descripción	Qty.	Material
①	Cam Driver	1	GGG60
②	Cam Slider	1	GGG60
③	Cam Holder	1	GGG60
④	Slider Plate 1	1	CK45
⑤	Slider Plate 2	2	Bronze + G
⑥	Positive Return 1	2	CK45
⑦	Slider Plate 3	1	Bronze + G
⑧	Stopper Plate 1	2	CK45
⑨	Positive Return 2	2	Bronze + G
⑩	Stopper Plate 2	1	CK45
⑪	Locking Stopper	1	CK45
⑫	Screw	16	M8 x 15
⑬	Screw	2	M8 x 45
⑭	Screw	8	M8 x 20
⑮	Screw	1	M8 x 60

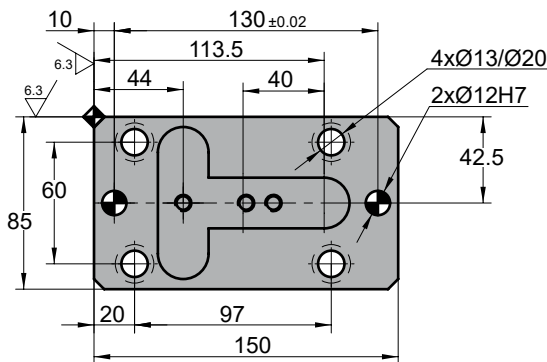
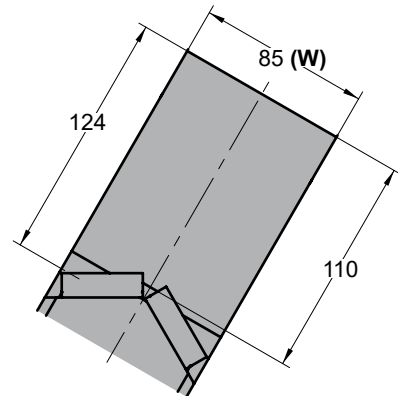
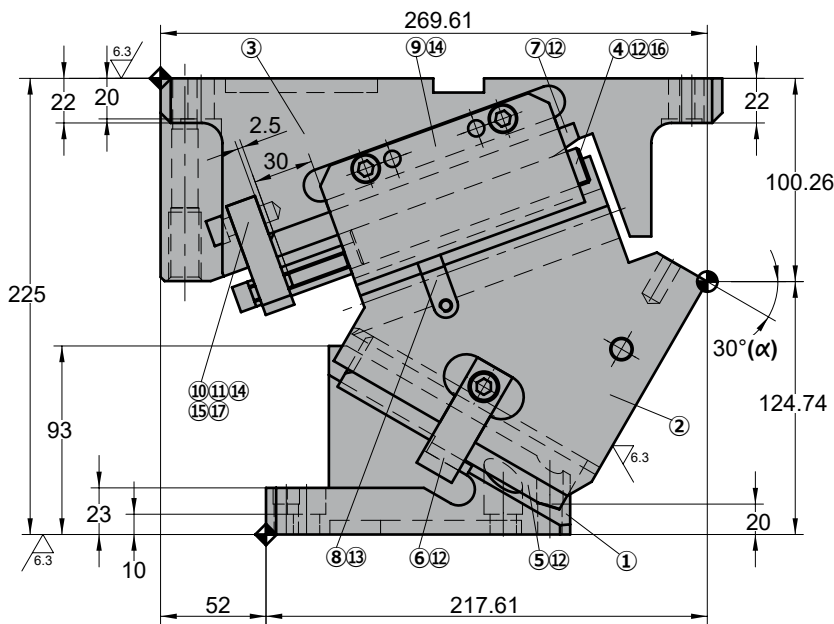
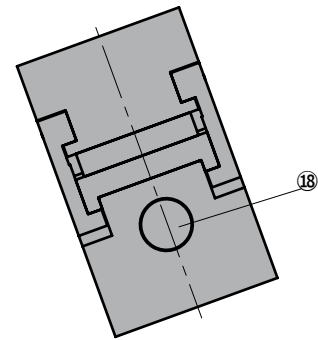
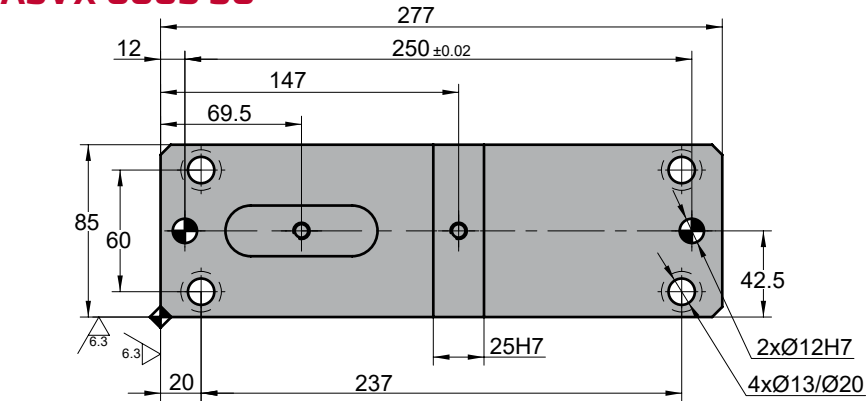
No.	Descripción	Qty.	Material
⑯	Dowel Pin	2	Ø8 x 45
⑰	Stopper	2	Urethane
⑱	Gas Spring	1	CW 320 038

ASVX 0085

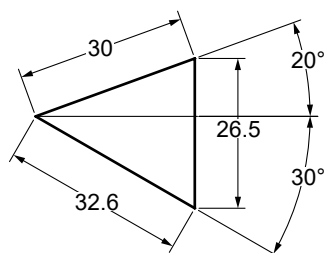
Aerial cam for pierce and flange



ASVX 0085 30



◦Cam diagram:



◦Disassembling space:



ASVX 0085

Aerial cam for pierce and flange

Stroke (mm)	Working force kN - (tons)	Spring Force N - (kgf)		Weight (Kg)	Model	W (mm)	α (mm)
		Initial F ₀	Final F ₁				
32.6	100.0 (10.2)	---	5170.4 (527.5)	25.3	ASVX	0085	30



Order: Model (W) (α)
ASVX 0085 30

Standard order example according to catalog sheet. Add options applying options table contents.

OPTIONS

K

KEY

Order Options: Model (W) (α)-Option



ASVX 0085 30-K



SPARE PARTS:

- ⑤ Slider Plate 2
- ⑦ Slider Plate 3
- ⑱ Gas Spring

COMPONENTS

No.	Descripción	Qty.	Material
①	Cam Driver	1	GGG60
②	Cam Slider	1	GGG60
③	Cam Holder	1	GGG60
④	Slider Plate 1	1	CK45
⑤	Slider Plate 2	2	Bronze + G
⑥	Positive Return 1	2	CK45
⑦	Slider Plate 3	1	Bronze + G
⑧	Stopper Plate 1	2	CK45
⑨	Positive Return 2	2	Bronze + G
⑩	Stopper Plate 2	1	CK45
⑪	Locking Stopper	1	CK45
⑫	Screw	16	M8 x 15
⑬	Screw	2	M8 x 45
⑭	Screw	8	M8 x 20
⑮	Screw	1	M8 x 60

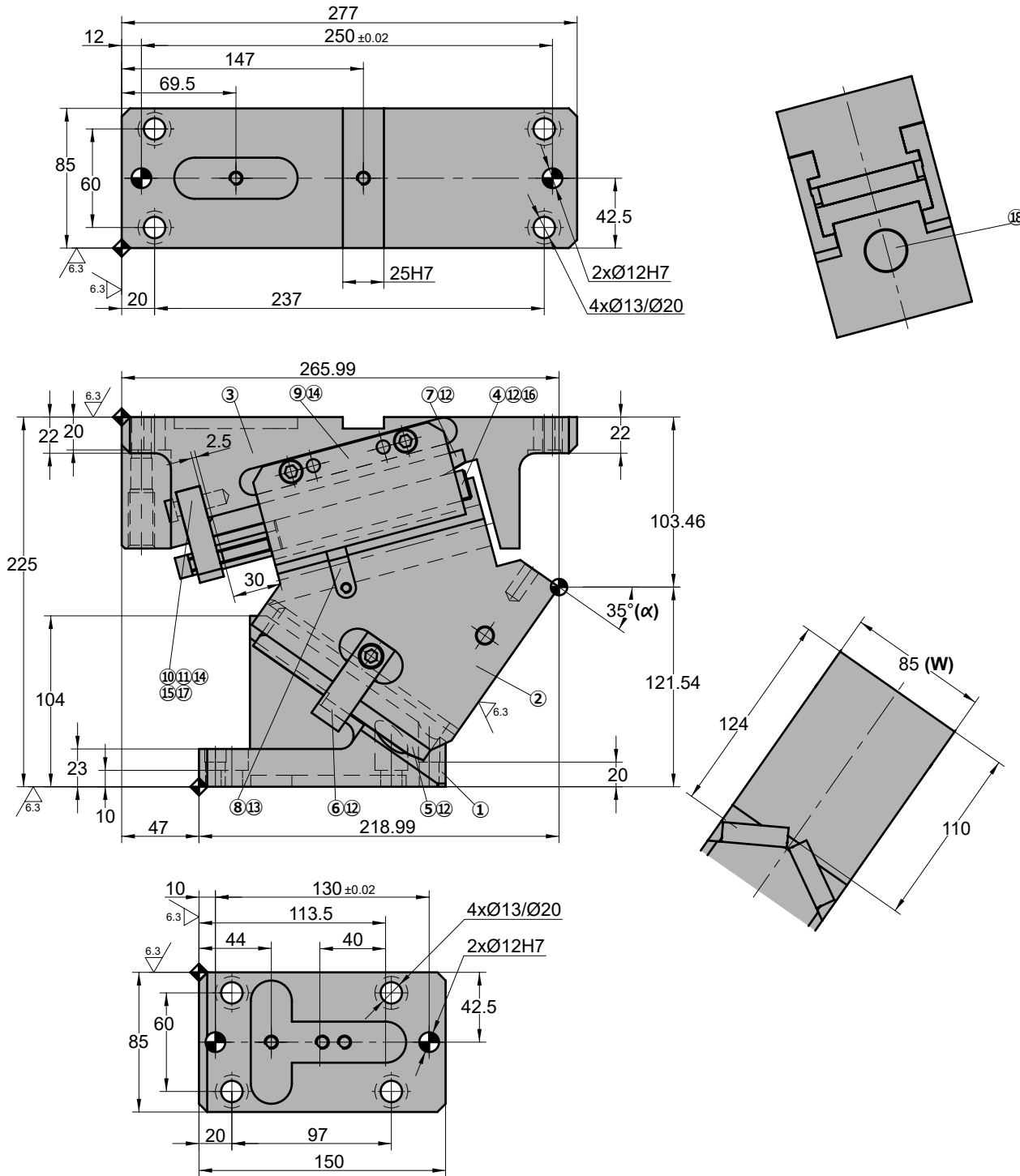
No.	Descripción	Qty.	Material
⑯	Dowel Pin	2	Ø8 x 45
⑰	Stopper	2	Urethane
⑱	Gas Spring	1	CW 320 038

ASVX 0085

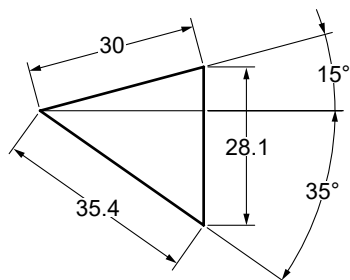
Aerial cam for pierce and flange



ASVX 0085 35



◦Cam diagram:



◦Disassembling space:



ASVX 0085

Aerial cam for pierce and flange

Stroke (mm)	Working force kN - (tons)	Spring Force N - (kgf)		Weight (Kg)	Model	W (mm)	α (mm)
		Initial F ₀	Final F ₁				
35.4	100.0 (10.2)	---	5170.4 (527.5)	24.4	ASVX	0085	35



Order: Model (W) (α)
ASVX 0085 35

Standard order example according to catalog sheet. Add options applying options table contents.

OPTIONS

K

KEY

Order Options: Model (W) (α)-Option



ASVX 0085 35-K



SPARE PARTS:

- ⑤ Slider Plate 2
- ⑦ Slider Plate 3
- ⑱ Gas Spring

COMPONENTS

No.	Descripción	Qty.	Material
①	Cam Driver	1	GGG60
②	Cam Slider	1	GGG60
③	Cam Holder	1	GGG60
④	Slider Plate 1	1	CK45
⑤	Slider Plate 2	2	Bronze + G
⑥	Positive Return 1	2	CK45
⑦	Slider Plate 3	1	Bronze + G
⑧	Stopper Plate 1	2	CK45
⑨	Positive Return 2	2	Bronze + G
⑩	Stopper Plate 2	1	CK45
⑪	Locking Stopper	1	CK45
⑫	Screw	16	M8 x 15
⑬	Screw	2	M8 x 45
⑭	Screw	8	M8 x 20
⑮	Screw	1	M8 x 60

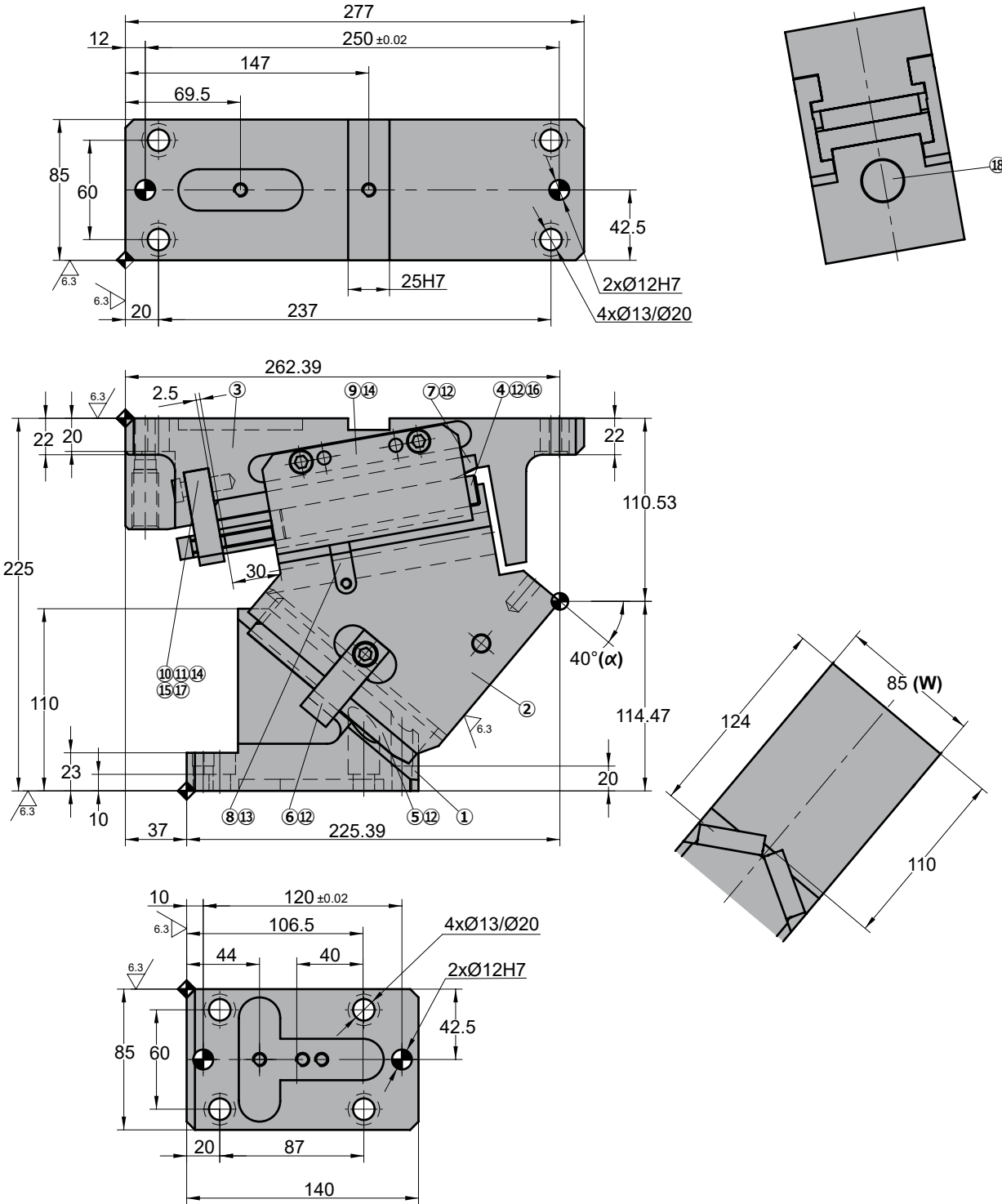
No.	Descripción	Qty.	Material
⑯	Dowel Pin	2	Ø8 x 45
⑰	Stopper	2	Urethane
⑱	Gas Spring	1	CW 320 038

ASVX 0085

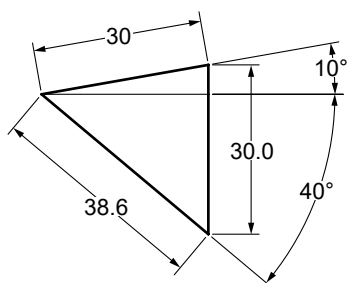
Aerial cam for pierce and flange



ASVX 0085 40



◦Cam diagram:



◦Disassembling space:



ASVX 0085

Aerial cam for pierce and flange

Stroke (mm)	Working force kN - (tons)	Spring Force N - (kgf)		Weight (Kg)	Model	W (mm)	α (mm)
		Initial F ₀	Final F ₁				
38.6	100.0 (10.2)	---	5170.4 (527.5)	24.0	ASVX	0085	40



Order: Model (W) (α)
ASVX 0085 40

Standard order example according to catalog sheet. Add options applying options table contents.

OPTIONS

K

KEY

Order Options: Model (W) (α)-Option



ASVX 0085 40-K



SPARE PARTS:

- ⑤ Slider Plate 2
- ⑦ Slider Plate 3
- ⑱ Gas Spring

COMPONENTS

No.	Descripción	Qty.	Material
①	Cam Driver	1	GGG60
②	Cam Slider	1	GGG60
③	Cam Holder	1	GGG60
④	Slider Plate 1	1	CK45
⑤	Slider Plate 2	2	Bronze + G
⑥	Positive Return 1	2	CK45
⑦	Slider Plate 3	1	Bronze + G
⑧	Stopper Plate 1	2	CK45
⑨	Positive Return 2	2	Bronze + G
⑩	Stopper Plate 2	1	CK45
⑪	Locking Stopper	1	CK45
⑫	Screw	16	M8 x 15
⑬	Screw	2	M8 x 45
⑭	Screw	8	M8 x 20
⑮	Screw	1	M8 x 60

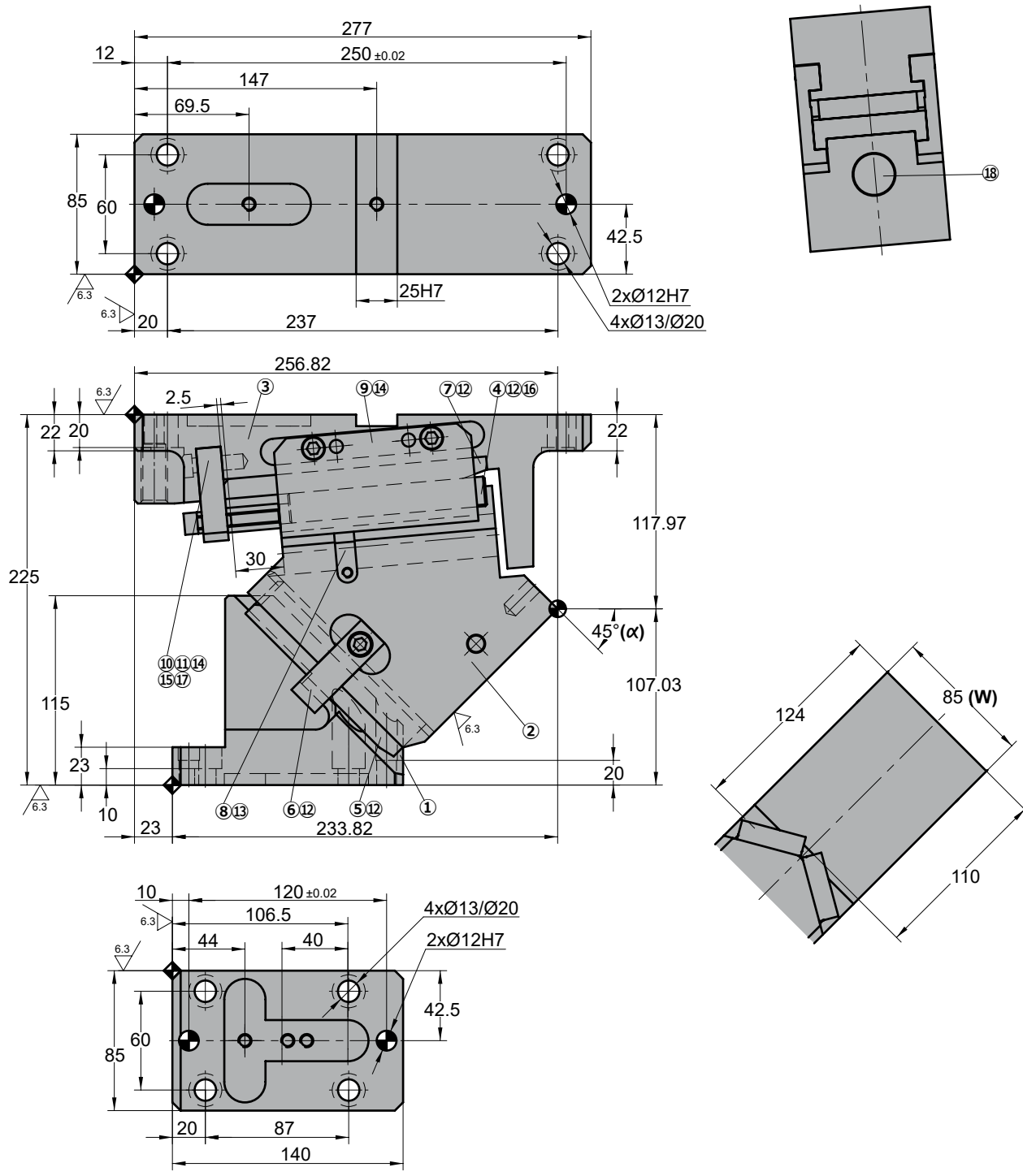
No.	Descripción	Qty.	Material
⑯	Dowel Pin	2	Ø8 x 45
⑰	Stopper	2	Urethane
⑱	Gas Spring	1	CW 320 038

ASVX 0085

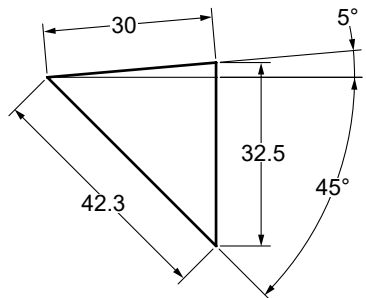
Aerial cam for pierce and flange



ASVX 0085 45



◦Cam diagram:



◦Disassembling space:





ASVX 0085

Aerial cam for pierce and flange

Stroke (mm)	Working force kN - (tons)	Spring Force N - (kgf)		Weight (Kg)	Model	W (mm)	α (mm)
		Initial F ₀	Final F ₁				
42.3	100.0 (10.2)	---	5170.4 (527.5)	24.7	ASVX	0085	45



Order: Model (W) (α)
ASVX 0085 45

Standard order example according to catalog sheet. Add options applying options table contents.

OPTIONS

K

KEY

Order Options: Model (W) (α)-Option



ASVX 0085 45-K



SPARE PARTS:

- ⑤ Slider Plate 2
- ⑦ Slider Plate 3
- ⑱ Gas Spring

COMPONENTS

No.	Descripción	Qty.	Material
①	Cam Driver	1	GGG60
②	Cam Slider	1	GGG60
③	Cam Holder	1	GGG60
④	Slider Plate 1	1	CK45
⑤	Slider Plate 2	2	Bronze + G
⑥	Positive Return 1	2	CK45
⑦	Slider Plate 3	1	Bronze + G
⑧	Stopper Plate 1	2	CK45
⑨	Positive Return 2	2	Bronze + G
⑩	Stopper Plate 2	1	CK45
⑪	Locking Stopper	1	CK45
⑫	Screw	16	M8 x 15
⑬	Screw	2	M8 x 45
⑭	Screw	8	M8 x 20
⑮	Screw	1	M8 x 60

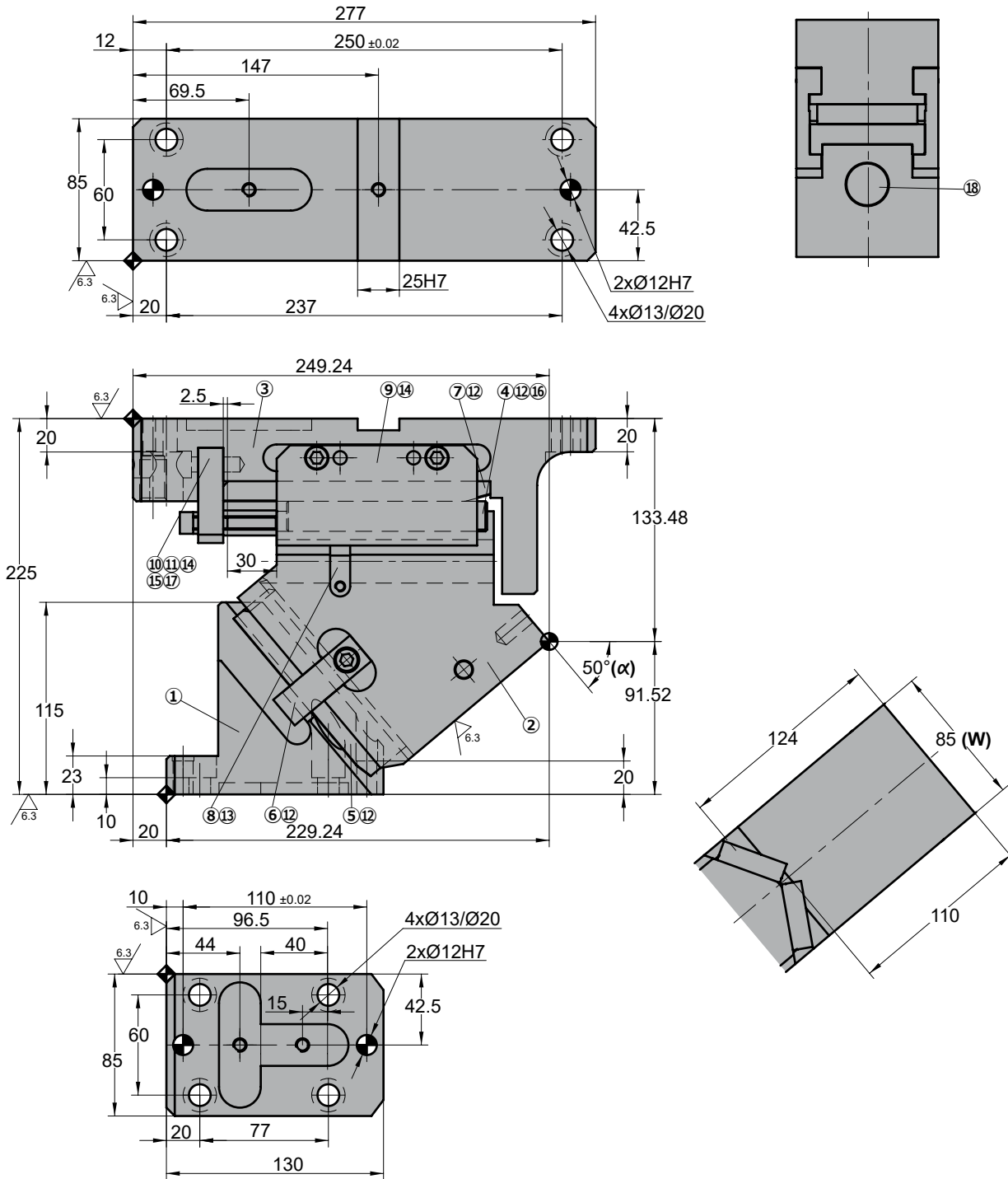
No.	Descripción	Qty.	Material
⑯	Dowel Pin	2	Ø8 x 45
⑰	Stopper	2	Urethane
⑱	Gas Spring	1	CW 320 038

ASVX 0085

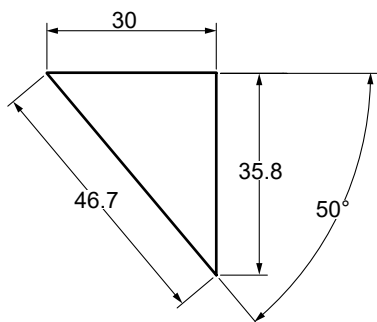
Aerial cam for pierce and flange



ASVX 0085 50



◦Cam diagram:



◦Disassembling space:





ASVX 0085

Aerial cam for pierce and flange

Stroke (mm)	Working force kN - (tons)	Spring Force N - (kgf)		Weight (Kg)	Model	W (mm)	α (mm)
		Initial F ₀	Final F ₁				
46.7	100.0 (10.2)	---	5170.4 (527.5)	24.7	ASVX	0085	50



Order: Model (W) (α)
ASVX 0085 50

Standard order example according to catalog sheet. Add options applying options table contents.

OPTIONS

K

KEY

Order Options: Model (W) (α)-Option



ASVX 0085 50-K



SPARE PARTS:

- ⑤ Slider Plate 2
- ⑦ Slider Plate 3
- ⑱ Gas Spring

COMPONENTS

No.	Descripción	Qty.	Material
①	Cam Driver	1	GGG60
②	Cam Slider	1	GGG60
③	Cam Holder	1	GGG60
④	Slider Plate 1	1	CK45
⑤	Slider Plate 2	2	Bronze + G
⑥	Positive Return 1	2	CK45
⑦	Slider Plate 3	1	Bronze + G
⑧	Stopper Plate 1	2	CK45
⑨	Positive Return 2	2	Bronze + G
⑩	Stopper Plate 2	1	CK45
⑪	Locking Stopper	1	CK45
⑫	Screw	16	M8 x 15
⑬	Screw	2	M8 x 45
⑭	Screw	8	M8 x 20
⑮	Screw	1	M8 x 60

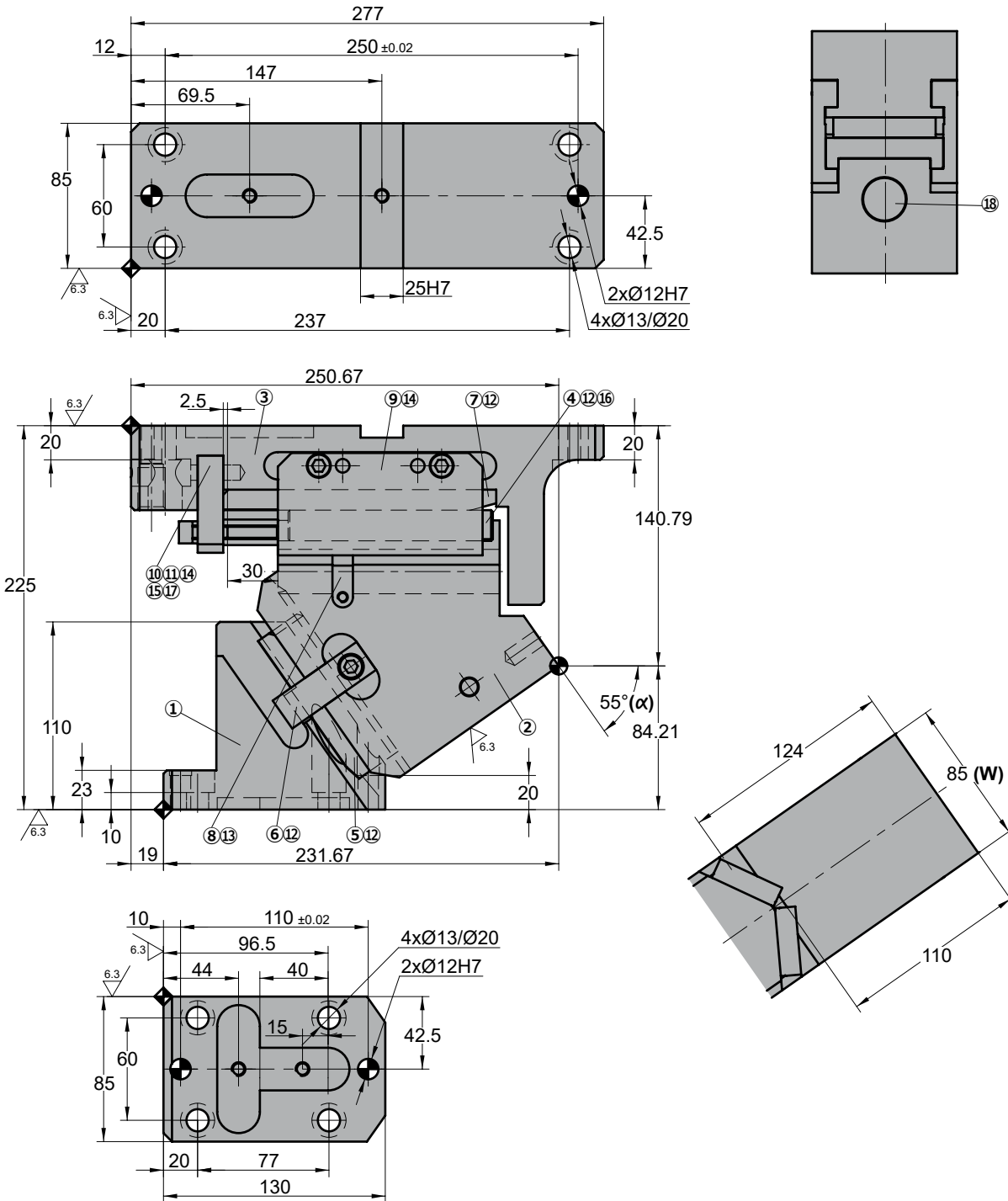
No.	Descripción	Qty.	Material
⑯	Dowel Pin	2	Ø8 x 45
⑰	Stopper	2	Urethane
⑱	Gas Spring	1	CW 320 038

ASVX 0085

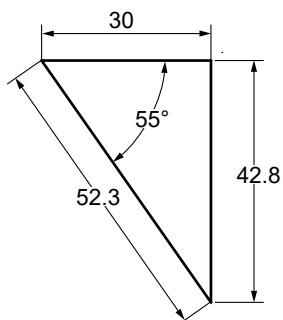
Aerial cam for pierce and flange



ASVX 0085 55



◦Cam diagram:



◦Disassembling space:



ASVX 0085

Aerial cam for pierce and flange

Stroke (mm)	Working force kN - (tons)	Spring Force N - (kgf)		Weight (Kg)	Model	W (mm)	α (mm)
		Initial F ₀	Final F ₁				
52.3	100.0 (10.2)	---	5170.4 (527.5)	24.6	ASVX	0085	55



Order: **Model (W) (α)**
ASVX 0085 55

Standard order example according to catalog sheet. Add options applying options table contents.

OPTIONS

K

KEY

Order Options: **Model (W) (α)-Option**



ASVX 0085 55-K



SPARE PARTS:

- ⑤ Slider Plate 2
- ⑦ Slider Plate 3
- ⑱ Gas Spring

COMPONENTS

No.	Descripción	Qty.	Material
①	Cam Driver	1	GGG60
②	Cam Slider	1	GGG60
③	Cam Holder	1	GGG60
④	Slider Plate 1	1	CK45
⑤	Slider Plate 2	2	Bronze + G
⑥	Positive Return 1	2	CK45
⑦	Slider Plate 3	1	Bronze + G
⑧	Stopper Plate 1	2	CK45
⑨	Positive Return 2	2	Bronze + G
⑩	Stopper Plate 2	1	CK45
⑪	Locking Stopper	1	CK45
⑫	Screw	16	M8 x 15
⑬	Screw	2	M8 x 45
⑭	Screw	8	M8 x 20
⑮	Screw	1	M8 x 60

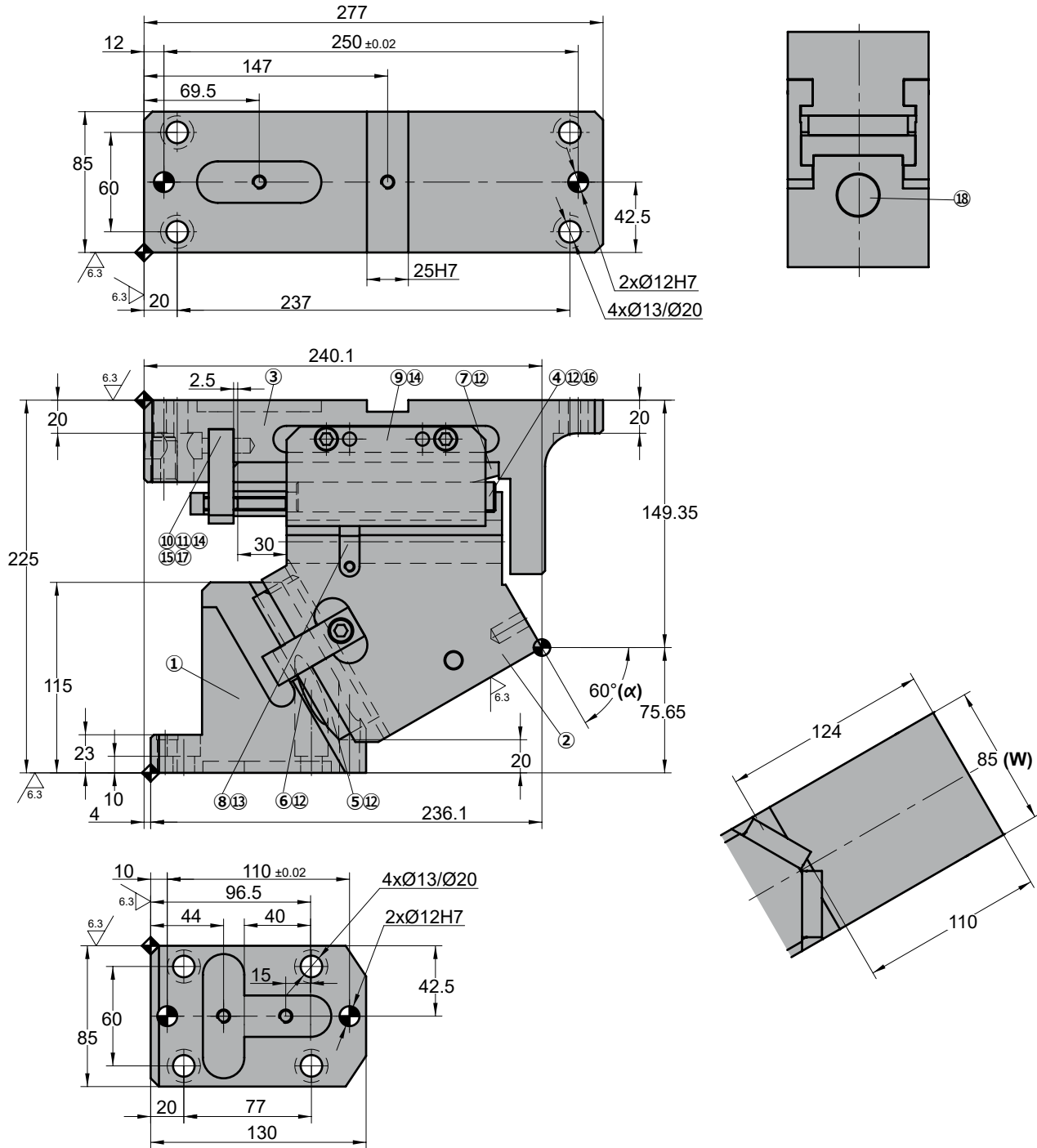
No.	Descripción	Qty.	Material
⑯	Dowel Pin	2	Ø8 x 45
⑰	Stopper	2	Urethane
⑱	Gas Spring	1	CW 320 038

ASVX 0085

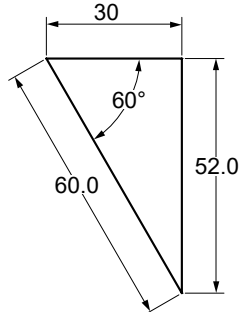
Aerial cam for pierce and flange



ASVX 0085 60



◦Cam diagram:



◦Disassembling space:



ASVX 0085

Aerial cam for pierce and flange

Stroke (mm)	Working force kN - (tons)	Spring Force N - (kgf)		Weight (Kg)	Model	W (mm)	α (mm)
		Initial F ₀	Final F ₁				
60.0	100.0 (10.2)	---	5170.4 (527.5)	25.4	ASVX	0085	60



Order: Model (W) (α)
ASVX 0085 60

Standard order example according to catalog sheet. Add options applying options table contents.

OPTIONS

K

KEY

Order Options: Model (W) (α)-Option



ASVX 0085 60-K



SPARE PARTS:

- ⑤ Slider Plate 2
- ⑦ Slider Plate 3
- ⑱ Gas Spring

COMPONENTS

No.	Descripción	Qty.	Material
①	Cam Driver	1	GGG60
②	Cam Slider	1	GGG60
③	Cam Holder	1	GGG60
④	Slider Plate 1	1	CK45
⑤	Slider Plate 2	2	Bronze + G
⑥	Positive Return 1	2	CK45
⑦	Slider Plate 3	1	Bronze + G
⑧	Stopper Plate 1	2	CK45
⑨	Positive Return 2	2	Bronze + G
⑩	Stopper Plate 2	1	CK45
⑪	Locking Stopper	1	CK45
⑫	Screw	16	M8 x 15
⑬	Screw	2	M8 x 45
⑭	Screw	8	M8 x 20
⑮	Screw	1	M8 x 60

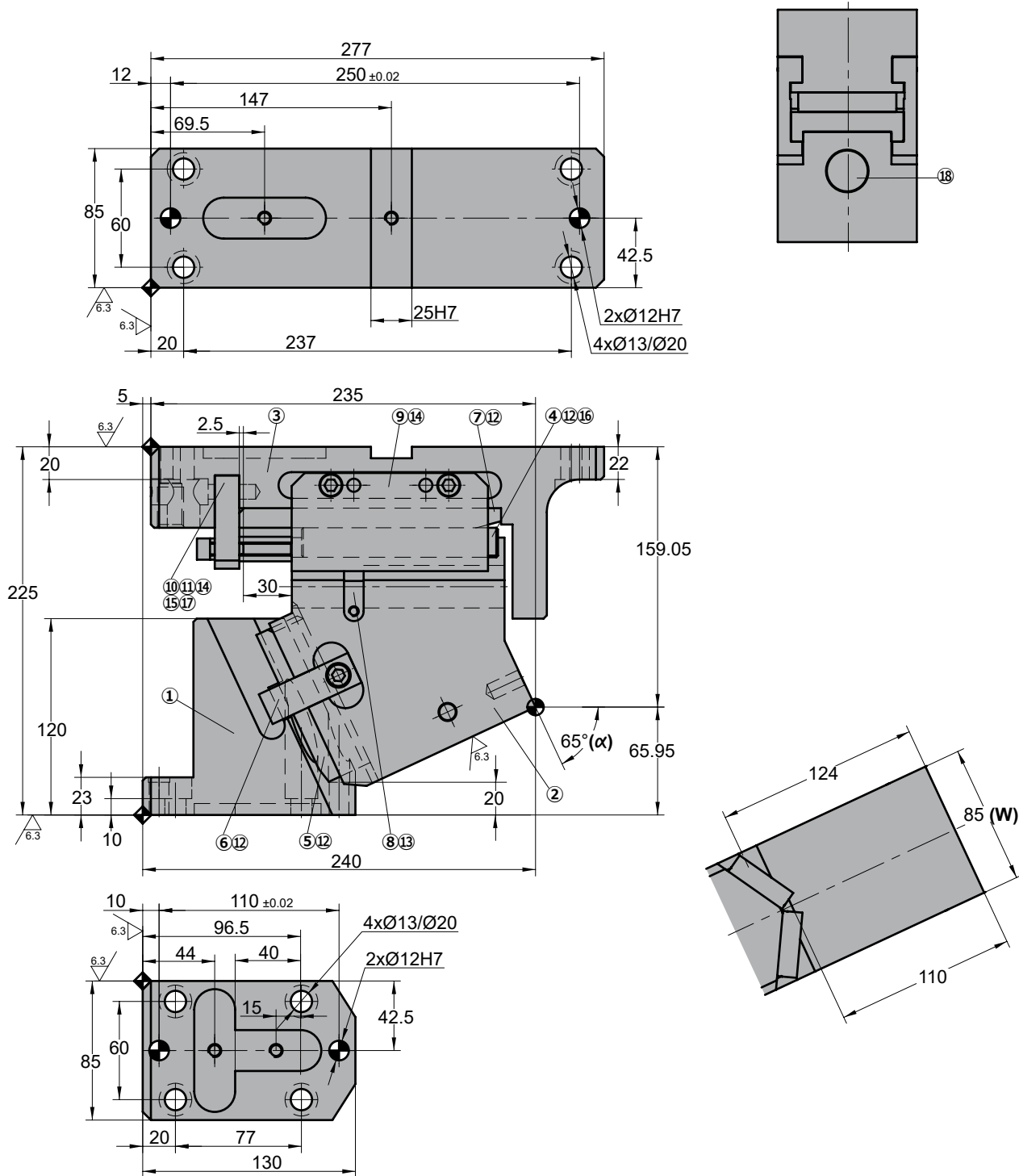
No.	Descripción	Qty.	Material
⑯	Dowel Pin	2	Ø8 x 45
⑰	Stopper	2	Urethane
⑱	Gas Spring	1	CW 320 038

ASVX 0085

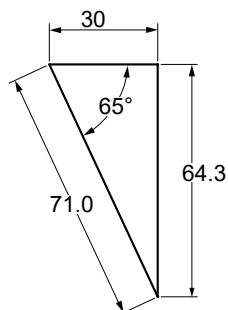
Aerial cam for pierce and flange



ASVX 0085 65



◦Cam diagram:



◦Disassembling space:



ASVX 0085

Aerial cam for pierce and flange

Stroke (mm)	Working force kN - (tons)	Spring Force N - (kgf)		Weight (Kg)	Model	W (mm)	α (mm)
		Initial F ₀	Final F ₁				
71.0	100.0 (10.2)	---	5170.4 (527.5)	25.7	ASVX	0085	65

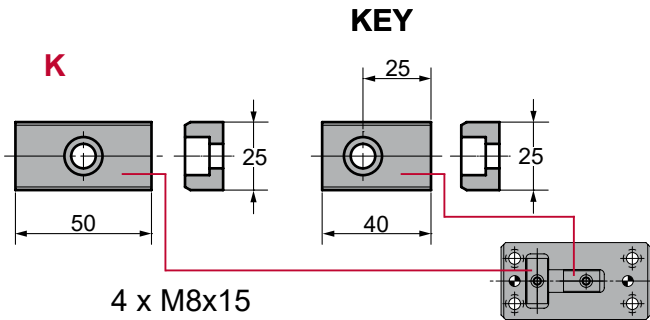


Order: **Model (W) (α)**
ASVX 0085 65

Standard order example according to catalog sheet. Add options applying options table contents.

OPTIONS

K



Order Options: **Model (W) (α)-Option**



ASVX 0085 65-K



SPARE PARTS:

- ⑤ Slider Plate 2
- ⑦ Slider Plate 3
- ⑱ Gas Spring

COMPONENTS

No.	Descripción	Qty.	Material
①	Cam Driver	1	GGG60
②	Cam Slider	1	GGG60
③	Cam Holder	1	GGG60
④	Slider Plate 1	1	CK45
⑤	Slider Plate 2	2	Bronze + G
⑥	Positive Return 1	2	CK45
⑦	Slider Plate 3	1	Bronze + G
⑧	Stopper Plate 1	2	CK45
⑨	Positive Return 2	2	Bronze + G
⑩	Stopper Plate 2	1	CK45
⑪	Locking Stopper	1	CK45
⑫	Screw	16	M8 x 15
⑬	Screw	2	M8 x 45
⑭	Screw	8	M8 x 20
⑮	Screw	1	M8 x 60

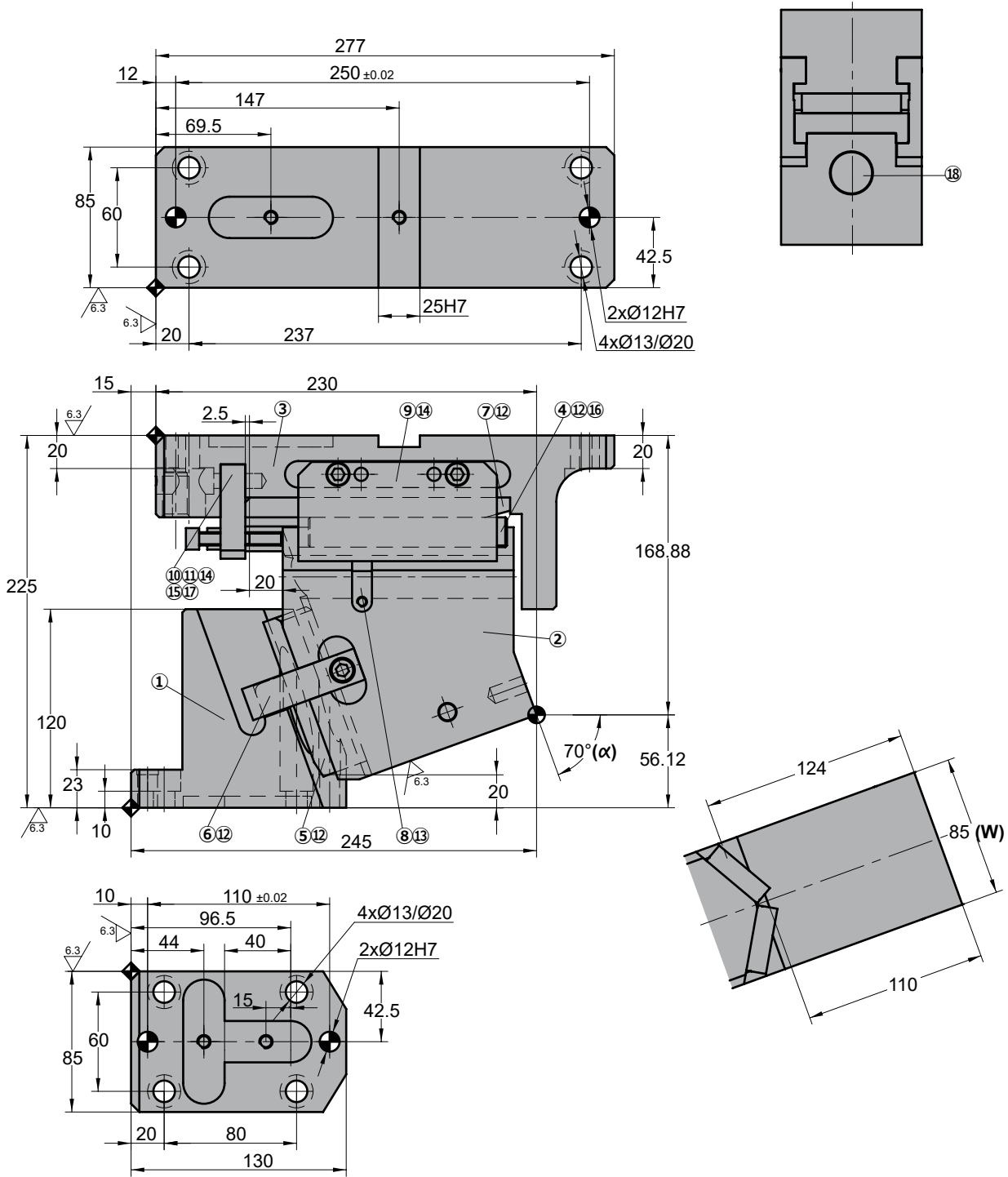
No.	Descripción	Qty.	Material
⑯	Dowel Pin	2	Ø8 x 45
⑰	Stopper	2	Urethane
⑱	Gas Spring	1	CW 320 038

ASVX 0085

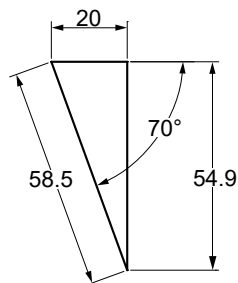
Aerial cam for pierce and flange



ASVX 0085 70



◦Cam diagram:



◦Disassembling space:



ASVX 0085

Aerial cam for pierce and flange

Stroke (mm)	Working force kN - (tons)	Spring Force N - (kgf)		Weight (Kg)	Model	W (mm)	α (mm)
		Initial F ₀	Final F ₁				
58.5	100.0 (10.2)	---	5205.5 (531.1)	26.2	ASVX	0085	70



Order: Model (W) (α)
ASVX 0085 70

Standard order example according to catalog sheet. Add options applying options table contents.

OPTIONS

K

KEY

Order Options: Model (W) (α)-Option



ASVX 0085 70-K



SPARE PARTS:

- ⑤ Slider Plate 2
- ⑦ Slider Plate 3
- ⑱ Gas Spring

COMPONENTS

No.	Descripción	Qty.	Material
①	Cam Driver	1	GGG60
②	Cam Slider	1	GGG60
③	Cam Holder	1	GGG60
④	Slider Plate 1	1	CK45
⑤	Slider Plate 2	2	Bronze + G
⑥	Positive Return 1	2	CK45
⑦	Slider Plate 3	1	Bronze + G
⑧	Stopper Plate 1	2	CK45
⑨	Positive Return 2	2	Bronze + G
⑩	Stopper Plate 2	1	CK45
⑪	Locking Stopper	1	CK45
⑫	Screw	16	M8 x 15
⑬	Screw	2	M8 x 60
⑭	Screw	8	M8 x 20
⑮	Screw	1	M8 x 55

No.	Descripción	Qty.	Material
⑯	Dowel Pin	2	Ø8 x 45
⑰	Stopper	2	Urethane
⑱	Gas Spring	1	CW 320 025



ASVX 0085

Aerial cam for pierce and flange

Stroke (mm)	Working force kN - (tons)	Spring Force N - (kgf)		Weight (Kg)	Model	W (mm)	α (mm)
		Initial F ₀	Final F ₁				
77.3	100.0 (10.2)	---	5205.5 (531.1)	28.3	ASVX	0085	75



Order: Model (W) (α)
ASVX 0085 75

Standard order example according to catalog sheet. Add options applying options table contents.

OPTIONS

K

KEY

Order Options: Model (W) (α)-Option
ASVX 0085 75-K

SPARE PARTS:

- ⑤ Slider Plate 2
- ⑦ Slider Plate 3
- ⑱ Gas Spring

COMPONENTS

No.	Descripción	Qty.	Material
①	Cam Driver	1	GGG60
②	Cam Slider	1	GGG60
③	Cam Holder	1	GGG60
④	Slider Plate 1	1	CK45
⑤	Slider Plate 2	2	Bronze + G
⑥	Positive Return 1	2	CK45
⑦	Slider Plate 3	1	Bronze + G
⑧	Stopper Plate 1	2	CK45
⑨	Positive Return 2	2	Bronze + G
⑩	Stopper Plate 2	1	CK45
⑪	Locking Stopper	1	CK45
⑫	Screw	16	M8 x 15
⑬	Screw	2	M8 x 60
⑭	Screw	8	M8 x 20
⑮	Screw	1	M8 x 55

No.	Descripción	Qty.	Material
⑯	Dowel Pin	2	Ø8 x 45
⑰	Stopper	2	Urethane
⑱	Gas Spring	1	CW 320 025

ASVX 0085

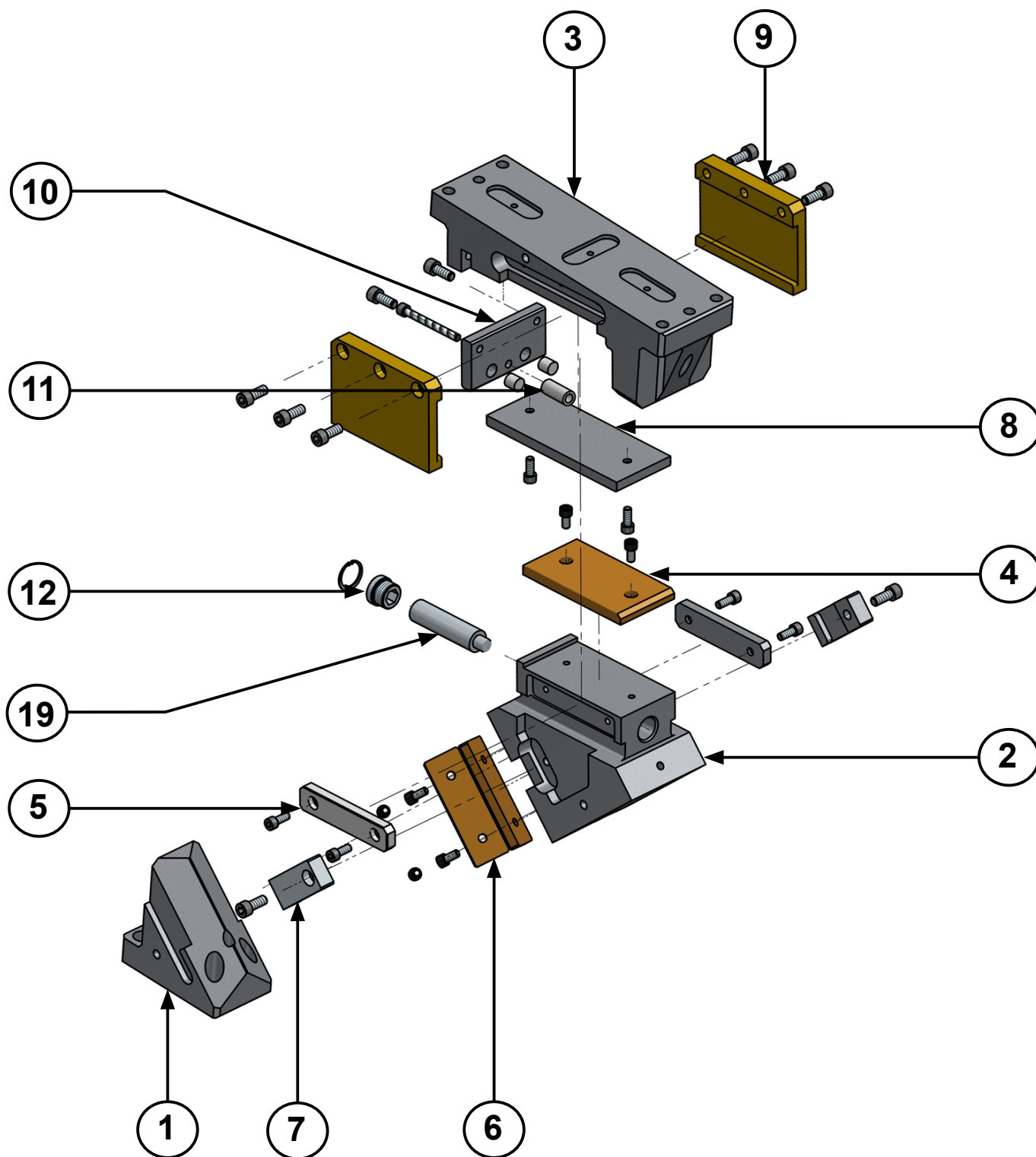


Aerial cam for pierce and flange



ASVX 0110

Aerial cam for pierce and flange

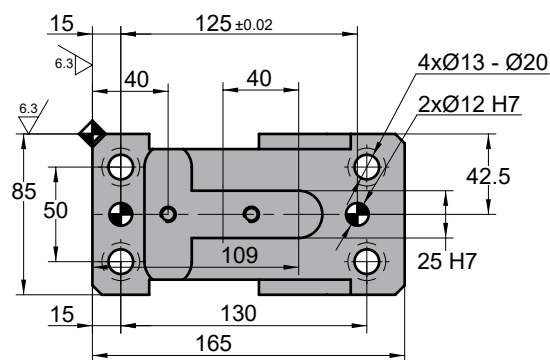
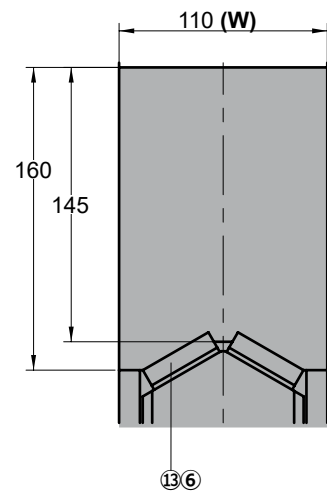
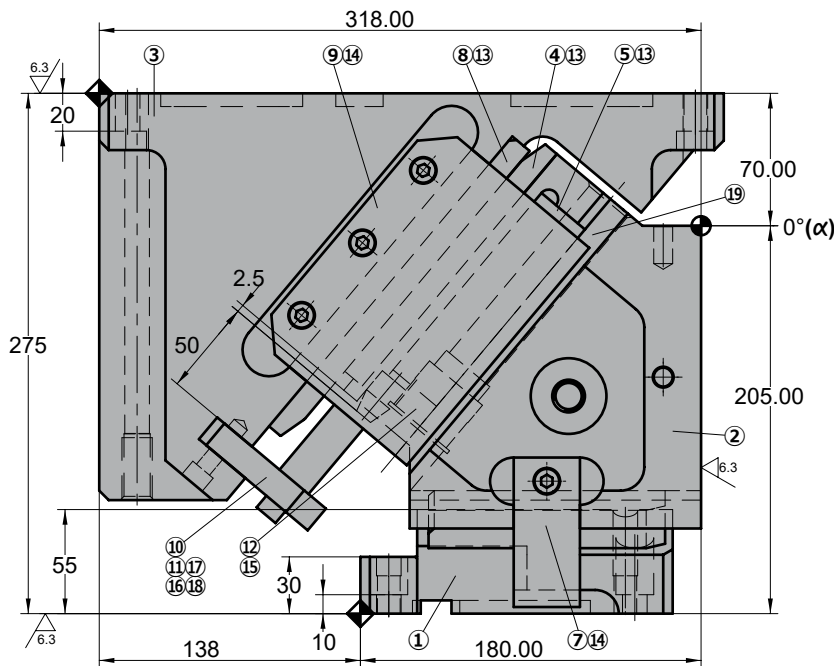
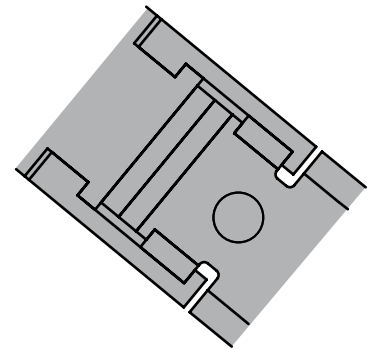
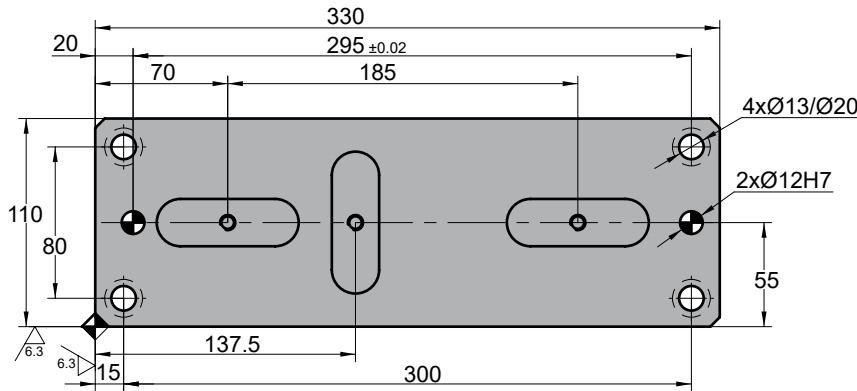


ASVX 0110

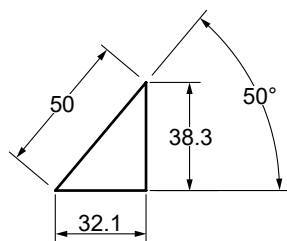
Aerial cam for pierce and flange



ASVX 0110 00



◦Cam diagram:



◦Disassembling space:



ASVX 0110

Aerial cam for pierce and flange

Stroke (mm)	Working force kN - (tons)	Spring Force N - (kgf)		Weight (Kg)	Model	W (mm)	α (mm)
		Initial F ₀	Final F ₁				
32.1	150.0 (15.3)	---	5479.9 (559.1)	51.5	ASVX	0110	00



Order: Model (W) (α)
ASCB 0110 00

Standard order example according to catalog sheet. Add options applying options table contents.

OPTIONS

K

KEY

Order Options: Model (W) (α)-Option
ASVX 0110 00-K

SPARE PARTS:

- ④ Slider Plate 1
- ⑥ Slider Plate 3
- ⑧ Slider Plate 4
- ⑱ Gas Spring

COMPONENTS

No.	Descripción	Qty.	Material
①	Cam Driver	1	GGG60
②	Cam Slider	1	GGG60
③	Cam Holder	1	GGG60
④	Slider Plate 1	1	Bronze + G
⑤	Slider Plate 2	2	CK45
⑥	Slider Plate 3	2	Bronze + G
⑦	Positive Return	2	CK45
⑧	Slider Plate 4	1	CK45
⑨	Cam Slider Plate	2	Bronze + G
⑩	Stopper Plate	1	CK45
⑪	Locking Stopper	1	CK45
⑫	Spring Guide Plate	2	CK45
⑬	Screw	17	M8 x 15
⑭	Screw	8	M10 x 25
⑮	Screw	2	M8 x 60

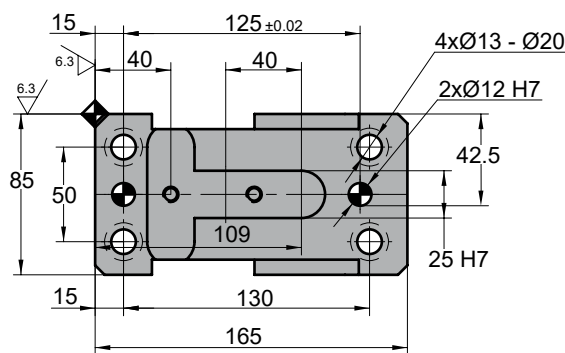
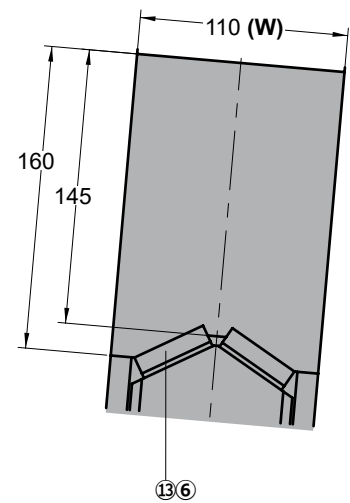
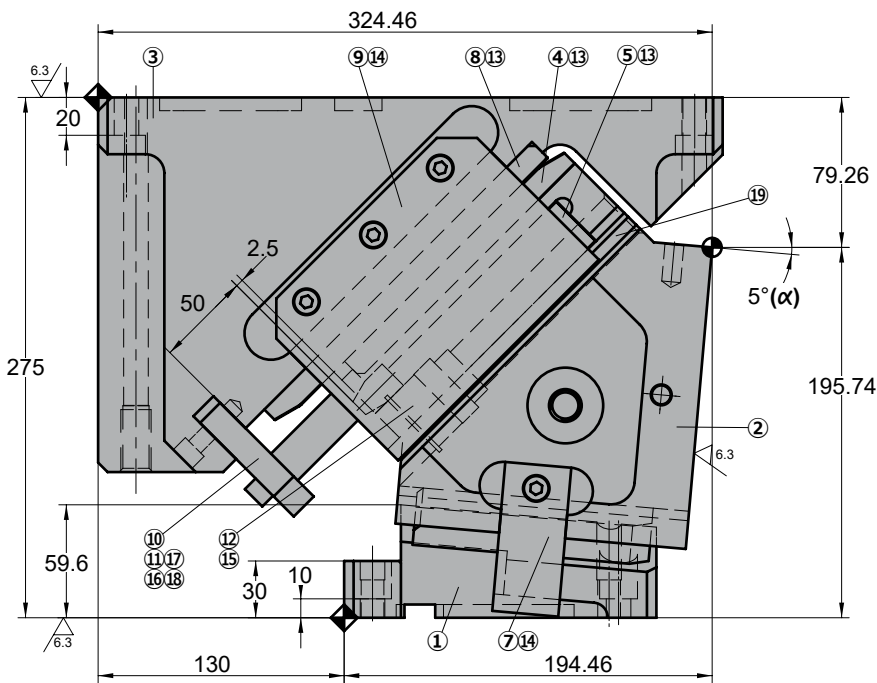
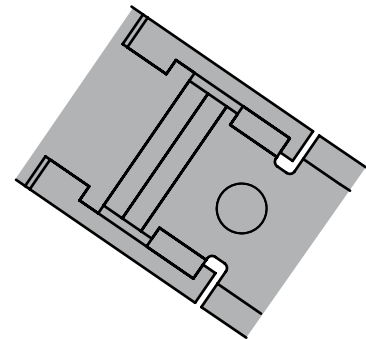
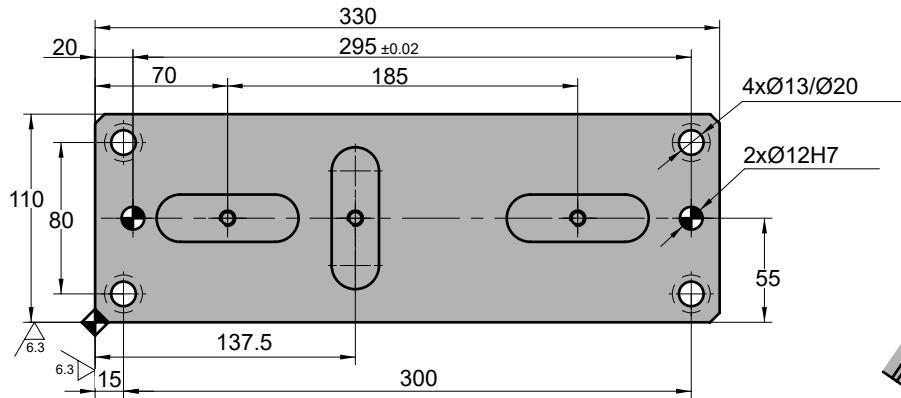
No.	Descripción	Qty.	Material
⑯	Screw	2	M10 x 20
⑰	Screw	1	M8 x 80
⑱	Stopper	2	Urethane
⑲	Gas Spring	1	CW 320 063

ASVX 0110

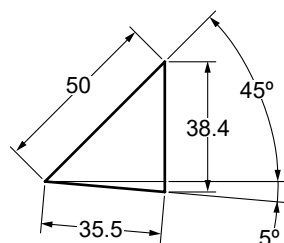
Aerial cam for pierce and flange



ASVX 0110 05



◦Cam diagram:



◦Disassembling space:



ASVX 0110

Aerial cam for pierce and flange

Stroke (mm)	Working force kN - (tons)	Spring Force N - (kgf)		Weight (Kg)	Model	W (mm)	α (mm)
		Initial F ₀	Final F ₁				
35.5	150.0 (15.3)	---	5479.9 (559.1)	50.4	ASVX	0110	05

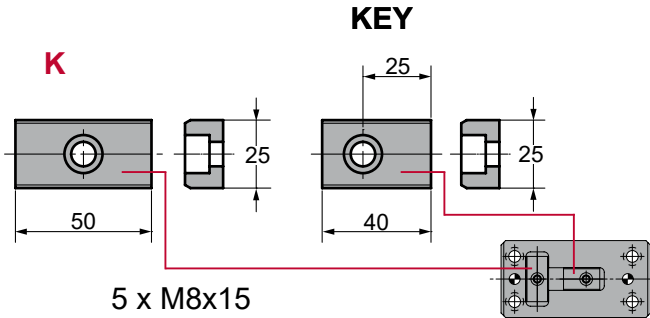


Order: **Model (W) (α)**
ASVX 0110 05

Standard order example according to catalog sheet. Add options applying options table contents.

OPTIONS

K



Order Options: **Model (W) (α)-Option**



ASVX 0110 05-K



SPARE PARTS:

- ④ Slider Plate 1
- ⑥ Slider Plate 3
- ⑧ Slider Plate 4
- ⑨ Gas Spring

COMPONENTS

No.	Descripción	Qty.	Material
①	Cam Driver	1	GGG60
②	Cam Slider	1	GGG60
③	Cam Holder	1	GGG60
④	Slider Plate 1	1	Bronze + G
⑤	Slider Plate 2	2	CK45
⑥	Slider Plate 3	2	Bronze + G
⑦	Positive Return	2	CK45
⑧	Slider Plate 4	1	CK45
⑨	Cam Slider Plate	2	Bronze + G
⑩	Stopper Plate	1	CK45
⑪	Locking Stopper	1	CK45
⑫	Spring Guide Plate	2	CK45
⑬	Screw	17	M8 x 15
⑭	Screw	8	M10 x 25
⑮	Screw	2	M8 x 60

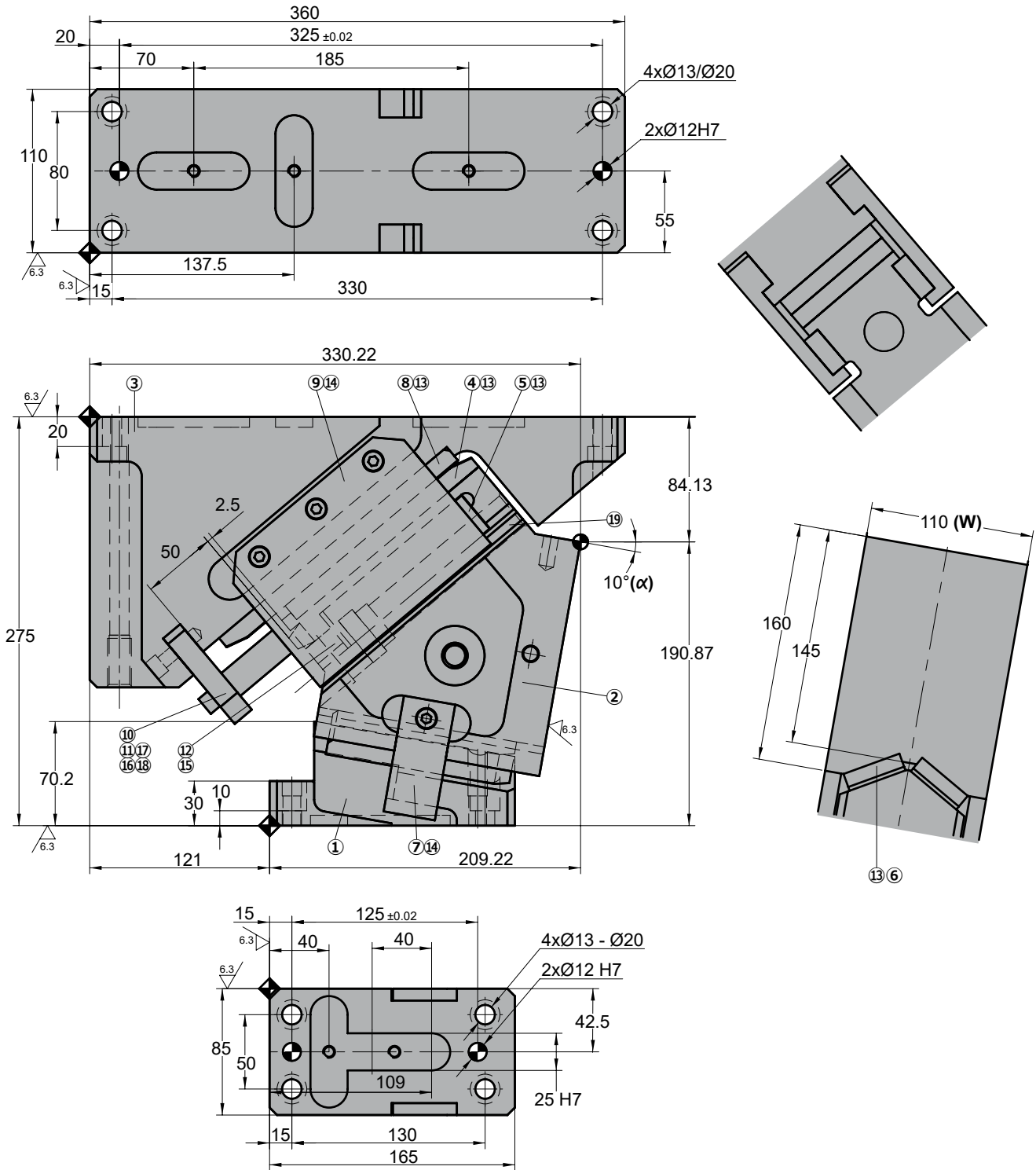
No.	Descripción	Qty.	Material
⑯	Screw	2	M10 x 20
⑰	Screw	1	M8 x 80
⑱	Stopper	2	Urethane
⑲	Gas Spring	1	CW 320 063

ASVX 0110

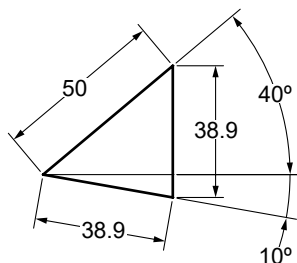
Aerial cam for pierce and flange



ASVX 0110 10



◦Cam diagram:



◦Disassembling space:



ASVX 0110

Aerial cam for pierce and flange

Stroke (mm)	Working force kN - (tons)	Spring Force N - (kgf)		Weight (Kg)	Model	W (mm)	α (mm)
		Initial F ₀	Final F ₁				
38.9	150.0 (15.3)	---	5479.9 (559.1)	50.2	ASVX	0110	10



Order: Model (W) (α)

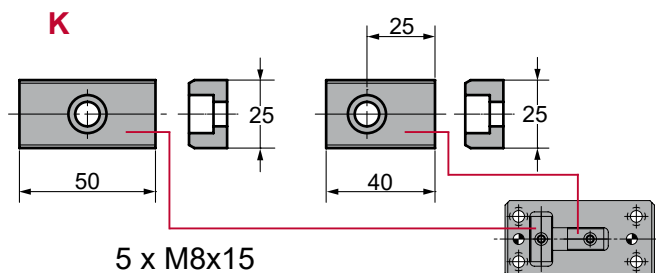
ASVX 0110 10

Standard order example according to catalog sheet. Add options applying options table contents.

OPTIONS

K

KEY



5 x M8x15

Order Options: Model (W) (α)-Option



ASVX 0110 10-K



SPARE PARTS:

- ④ Slider Plate 1
- ⑥ Slider Plate 3
- ⑧ Slider Plate 4
- ⑱ Gas Spring

COMPONENTS

No.	Descripción	Qty.	Material
①	Cam Driver	1	GGG60
②	Cam Slider	1	GGG60
③	Cam Holder	1	GGG60
④	Slider Plate 1	1	Bronze + G
⑤	Slider Plate 2	2	CK45
⑥	Slider Plate 3	2	Bronze + G
⑦	Positive Return	2	CK45
⑧	Slider Plate 4	1	CK45
⑨	Cam Slider Plate	2	Bronze + G
⑩	Stopper Plate	1	CK45
⑪	Locking Stopper	1	CK45
⑫	Spring Guide Plate	2	CK45
⑬	Screw	17	M8 x 15
⑭	Screw	8	M10 x 25
⑮	Screw	2	M8 x 60

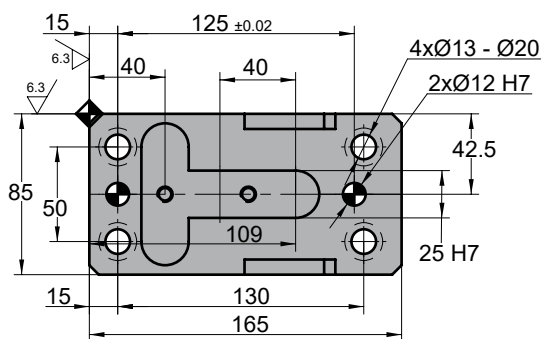
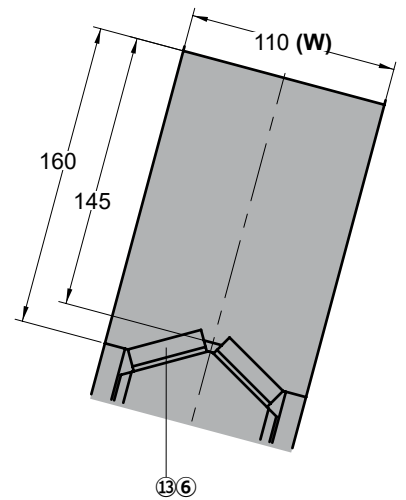
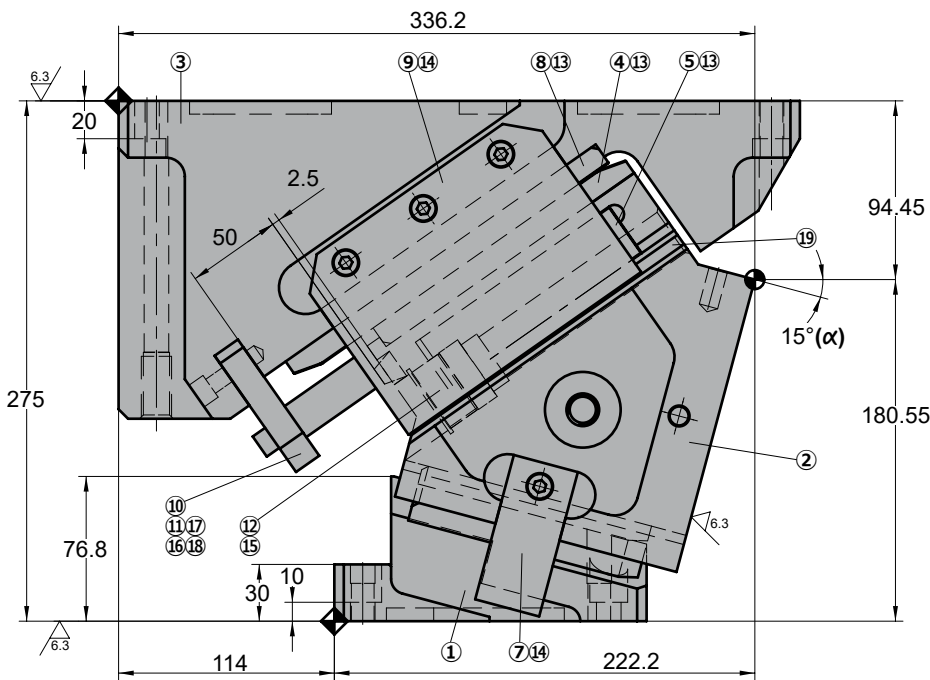
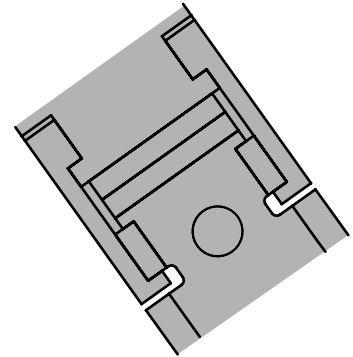
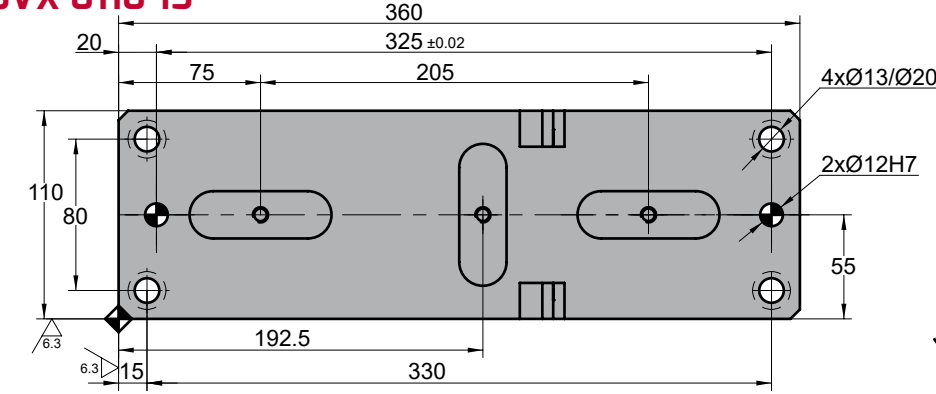
No.	Descripción	Qty.	Material
⑯	Screw	2	M10 x 20
⑰	Screw	1	M8 x 80
⑱	Stopper	2	Urethane
⑲	Gas Spring	1	CW 320 063

ASVX 0110

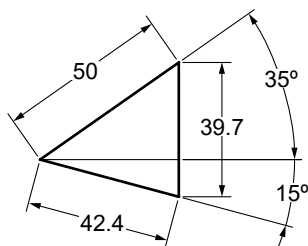
Aerial cam for pierce and flange



ASVX 0110 15



◦Cam diagram:



◦Disassembling space:



ASVX 0110

Aerial cam for pierce and flange

Stroke (mm)	Working force kN - (tons)	Spring Force N - (kgf)		Weight (Kg)	Model	W (mm)	α (mm)
		Initial F ₀	Final F ₁				
42.4	150.0 (15.3)	---	5479.9 (559.1)	51.3	ASVX	0110	15

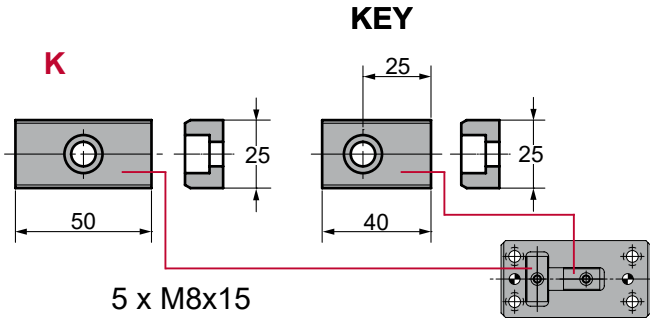


Order: Model (W) (α)
ASVX 0110 15

Standard order example according to catalog sheet. Add options applying options table contents.

OPTIONS

K



Order Options: Model (W) (α)-Option



ASVX 0110 15-K



SPARE PARTS:

- ④ Slider Plate 1
- ⑥ Slider Plate 3
- ⑧ Slider Plate 4
- ⑱ Gas Spring

COMPONENTS

No.	Descripción	Qty.	Material
①	Cam Driver	1	GGG60
②	Cam Slider	1	GGG60
③	Cam Holder	1	GGG60
④	Slider Plate 1	1	Bronze + G
⑤	Slider Plate 2	2	CK45
⑥	Slider Plate 3	2	Bronze + G
⑦	Positive Return	2	CK45
⑧	Slider Plate 4	1	CK45
⑨	Cam Slider Plate	2	Bronze + G
⑩	Stopper Plate	1	CK45
⑪	Locking Stopper	1	CK45
⑫	Spring Guide Plate	2	CK45
⑬	Screw	17	M8 x 15
⑭	Screw	8	M10 x 25
⑮	Screw	2	M8 x 60

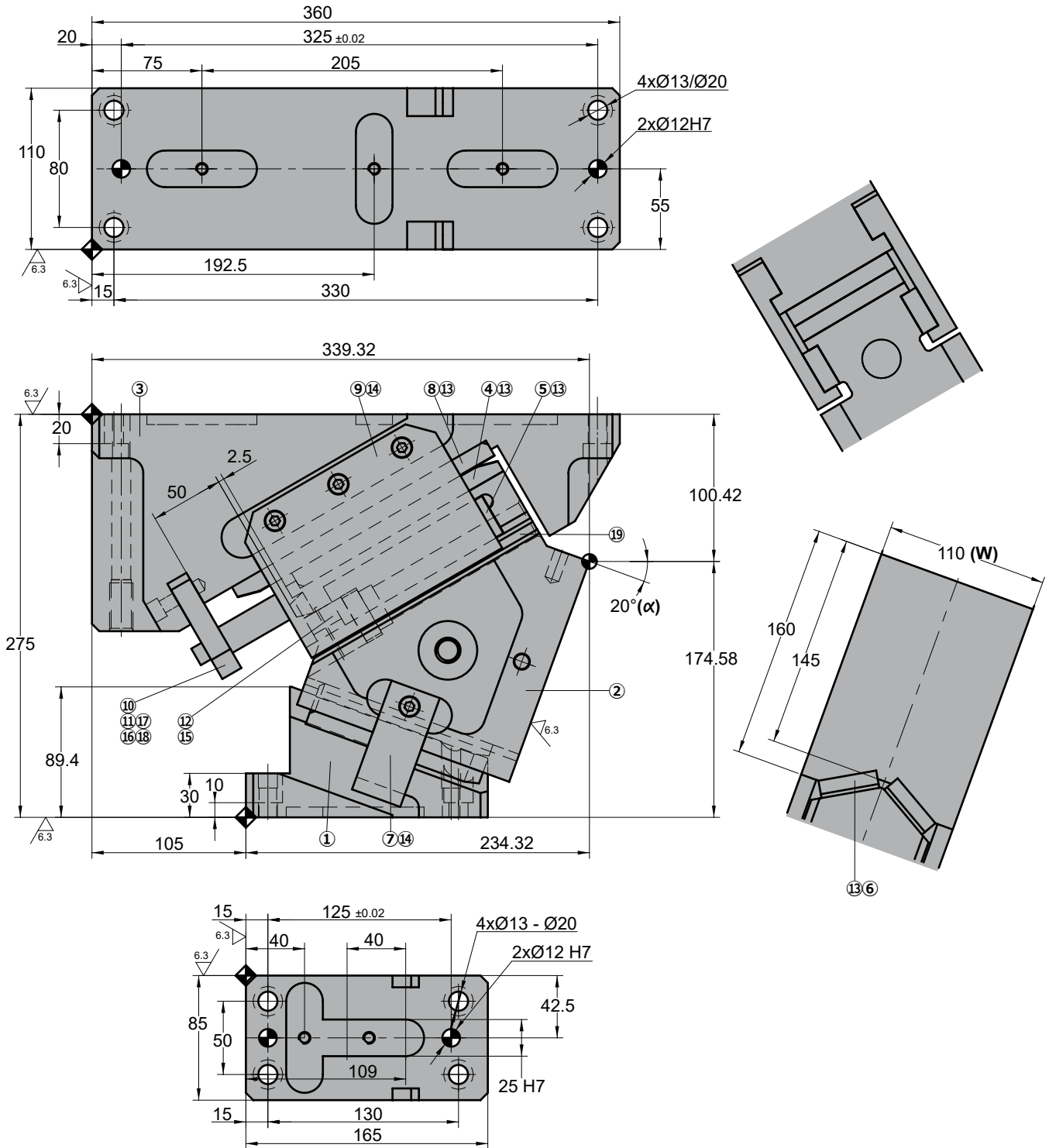
No.	Descripción	Qty.	Material
⑯	Screw	2	M10 x 20
⑰	Screw	1	M8 x 80
⑱	Stopper	2	Urethane
⑲	Gas Spring	1	CW 320 063

ASVX 0110

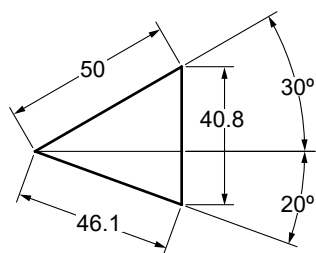
Aerial cam for pierce and flange



ASVX 0110 20



◦Cam diagram:



◦Disassembling space:



ASVX 0110

Aerial cam for pierce and flange

Stroke (mm)	Working force kN - (tons)	Spring Force N - (kgf)		Weight (Kg)	Model	W (mm)	α (mm)
		Initial F ₀	Final F ₁				
46.1	150.0 (15.3)	---	5479.9 (559.1)	49.7	ASVX	0110	20



Order: Model (W) (α)
ASVX 0110 20

Standard order example according to catalog sheet. Add options applying options table contents.

OPTIONS

K

5 x M8x15

KEY

Order Options: Model (W) (α)-Option



ASVX 0110 20-K



SPARE PARTS:

- ④ Slider Plate 1
- ⑥ Slider Plate 3
- ⑧ Slider Plate 4
- ⑱ Gas Spring

COMPONENTS

No.	Descripción	Qty.	Material
①	Cam Driver	1	GGG60
②	Cam Slider	1	GGG60
③	Cam Holder	1	GGG60
④	Slider Plate 1	1	Bronze + G
⑤	Slider Plate 2	2	CK45
⑥	Slider Plate 3	2	Bronze + G
⑦	Positive Return	2	CK45
⑧	Slider Plate 4	1	CK45
⑨	Cam Slider Plate	2	Bronze + G
⑩	Stopper Plate	1	CK45
⑪	Locking Stopper	1	CK45
⑫	Spring Guide Plate	2	CK45
⑬	Screw	17	M8 x 15
⑭	Screw	8	M10 x 25
⑮	Screw	2	M8 x 60

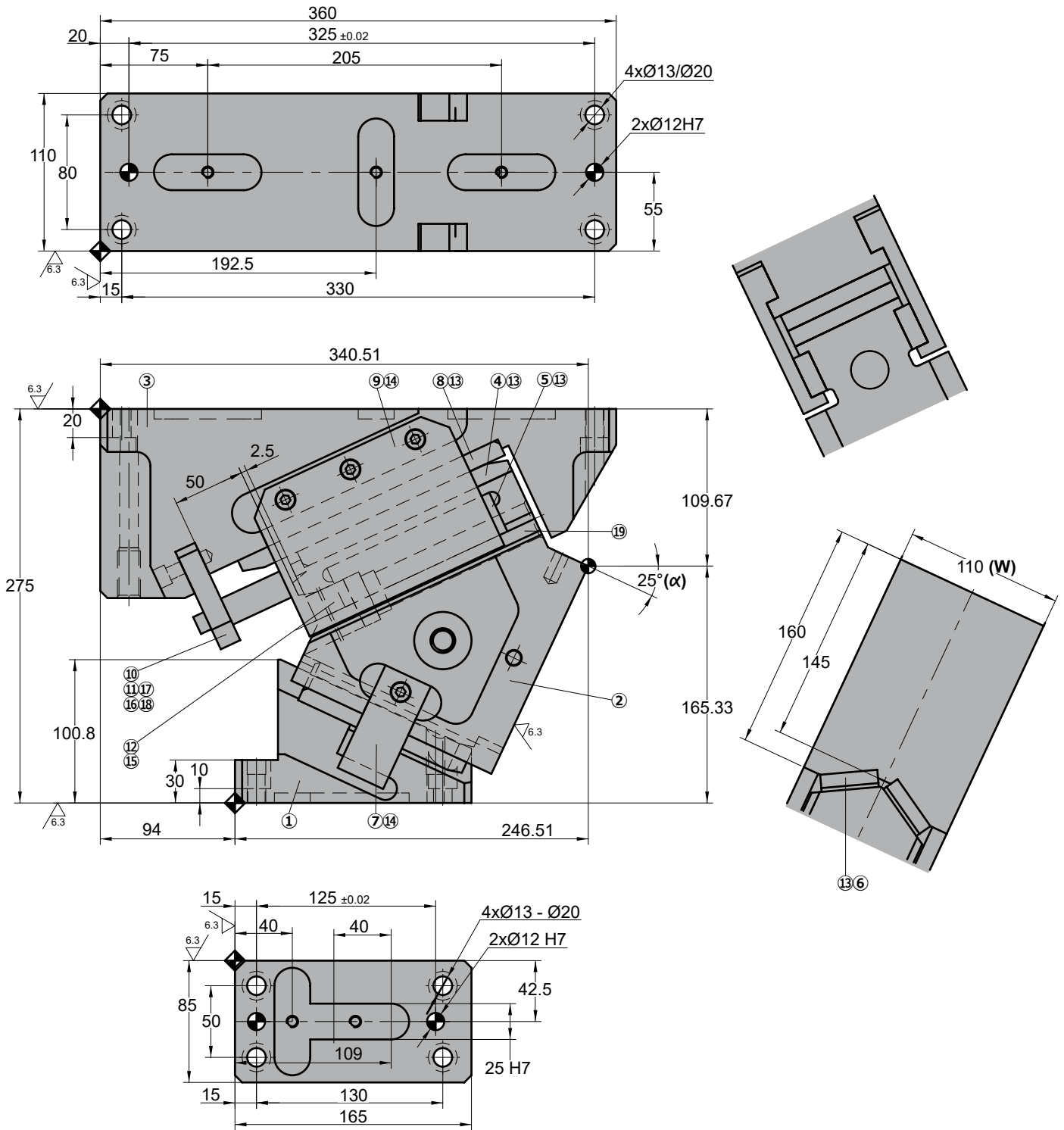
No.	Descripción	Qty.	Material
⑯	Screw	2	M10 x 20
⑰	Screw	1	M8 x 80
⑱	Stopper	2	Urethane
⑲	Gas Spring	1	CW 320 063

ASVX 0110

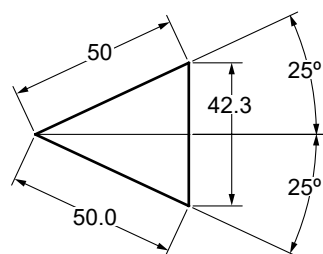
Aerial cam for pierce and flange



ASVX 0110 25



◦Cam diagram:



◦Disassembling space:



ASVX 0110

Aerial cam for pierce and flange

Stroke (mm)	Working force kN - (tons)	Spring Force N - (kgf)		Weight (Kg)	Model	W (mm)	α (mm)
		Initial F ₀	Final F ₁				
50.0	150.0 (15.3)	---	5479.9 (559.1)	49.0	ASVX	0110	25

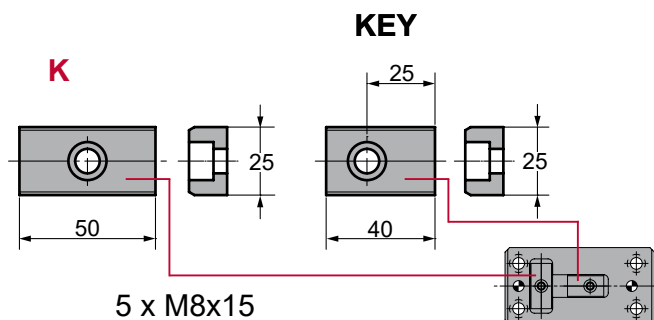


Order: Model (W) (α)
ASVX 0110 25

Standard order example according to catalog sheet. Add options applying options table contents.

OPTIONS

K



SPARE PARTS:

- ④ Slider Plate 1
- ⑥ Slider Plate 3
- ⑧ Slider Plate 4
- ⑱ Gas Spring

Order Options: Model (W) (α)-Option

ASVX 0110 25-K

COMPONENTS

No.	Descripción	Qty.	Material
①	Cam Driver	1	GGG60
②	Cam Slider	1	GGG60
③	Cam Holder	1	GGG60
④	Slider Plate 1	1	Bronze + G
⑤	Slider Plate 2	2	CK45
⑥	Slider Plate 3	2	Bronze + G
⑦	Positive Return	2	CK45
⑧	Slider Plate 4	1	CK45
⑨	Cam Slider Plate	2	Bronze + G
⑩	Stopper Plate	1	CK45
⑪	Locking Stopper	1	CK45
⑫	Spring Guide Plate	2	CK45
⑬	Screw	17	M8 x 15
⑭	Screw	8	M10 x 25
⑮	Screw	2	M8 x 60

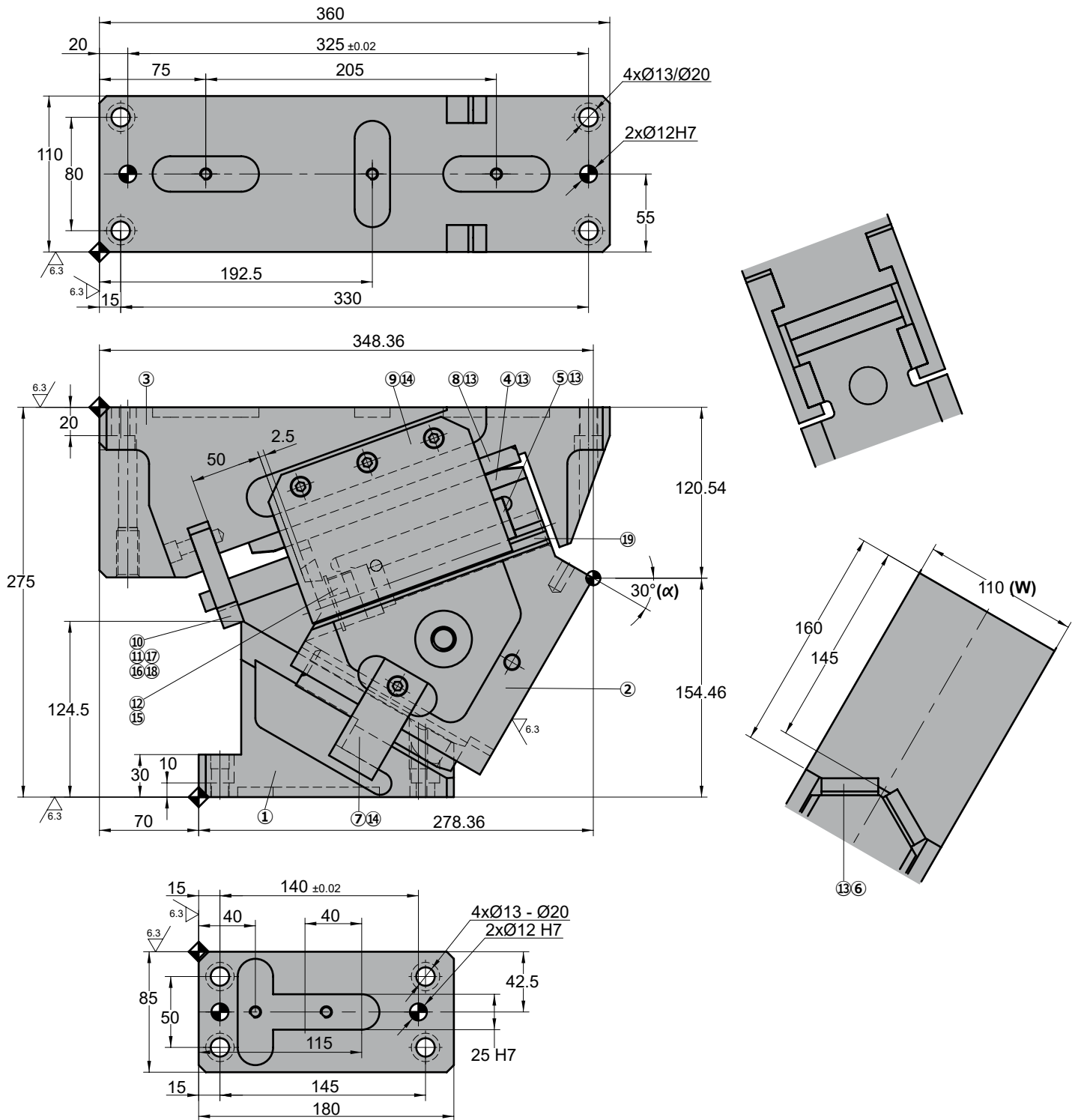
No.	Descripción	Qty.	Material
⑯	Screw	2	M10 x 20
⑰	Screw	1	M8 x 80
⑱	Stopper	2	Urethane
⑲	Gas Spring	1	CW 320 063

ASVX 0110

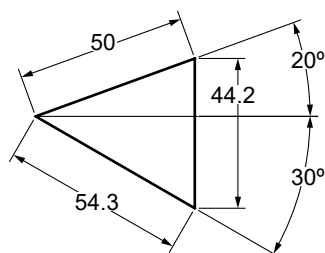
Aerial cam for pierce and flange



ASVX 0110 30



◦Cam diagram:



◦Disassembling space:



ASVX 0110

Aerial cam for pierce and flange

Stroke (mm)	Working force kN - (tons)	Spring Force N - (kgf)		Weight (Kg)	Model	W (mm)	α (mm)
		Initial F ₀	Final F ₁				
54.3	150.0 (15.3)	---	5479.9 (559.1)	49.5	ASVX	0110	30



Order: Model (W) (α)
ASVX 0110 30

Standard order example according to catalog sheet. Add options applying options table contents.

OPTIONS

K

5 x M8x15

KEY

Order Options: Model (W) (α)-Option



ASVX 0110 30-K



SPARE PARTS:

- ④ Slider Plate 1
- ⑥ Slider Plate 3
- ⑧ Slider Plate 4
- ⑱ Gas Spring

COMPONENTS

No.	Descripción	Qty.	Material
①	Cam Driver	1	GGG60
②	Cam Slider	1	GGG60
③	Cam Holder	1	GGG60
④	Slider Plate 1	1	Bronze + G
⑤	Slider Plate 2	2	CK45
⑥	Slider Plate 3	2	Bronze + G
⑦	Positive Return	2	CK45
⑧	Slider Plate 4	1	CK45
⑨	Cam Slider Plate	2	Bronze + G
⑩	Stopper Plate	1	CK45
⑪	Locking Stopper	1	CK45
⑫	Spring Guide Plate	2	CK45
⑬	Screw	17	M8 x 15
⑭	Screw	8	M10 x 25
⑮	Screw	2	M8 x 60

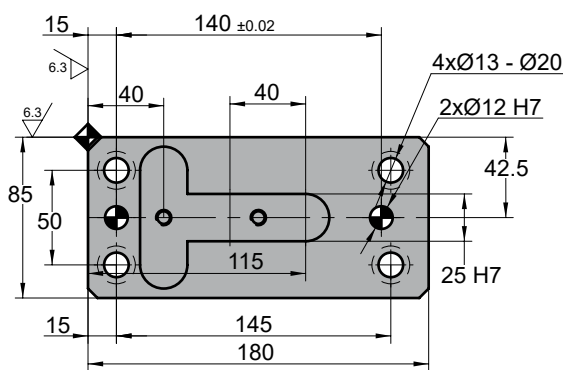
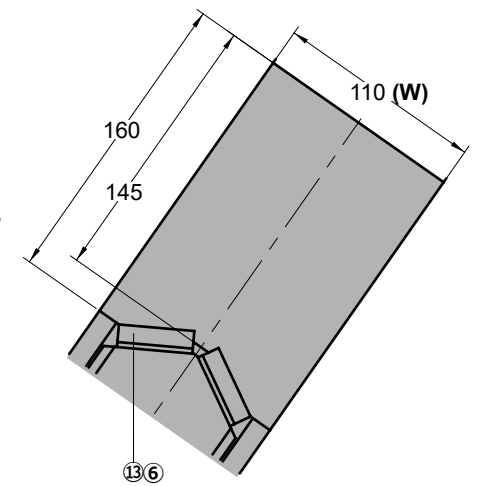
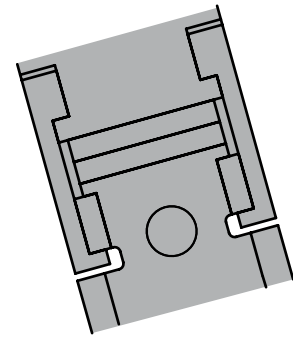
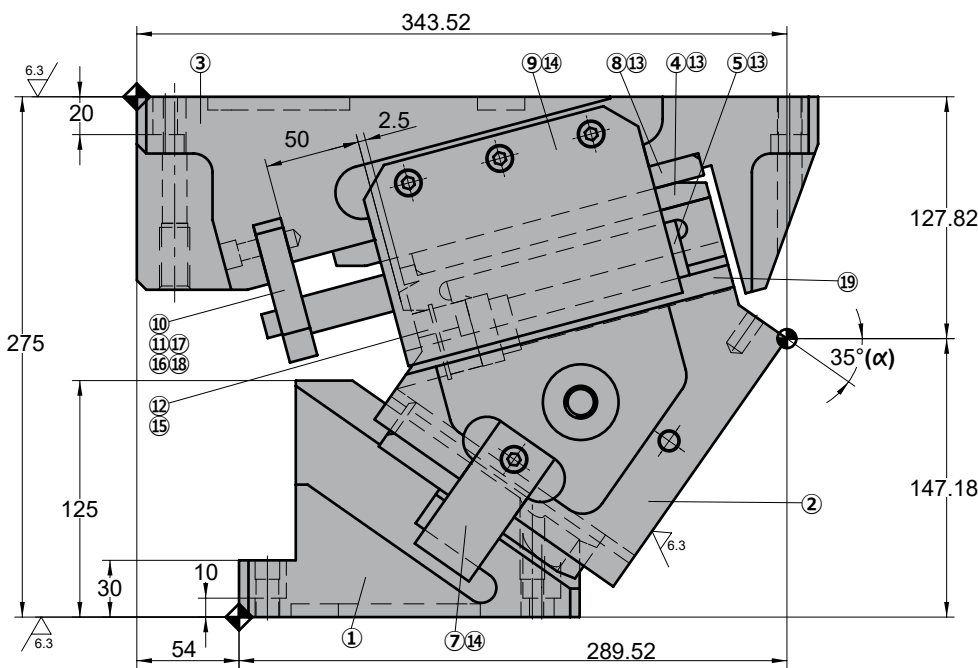
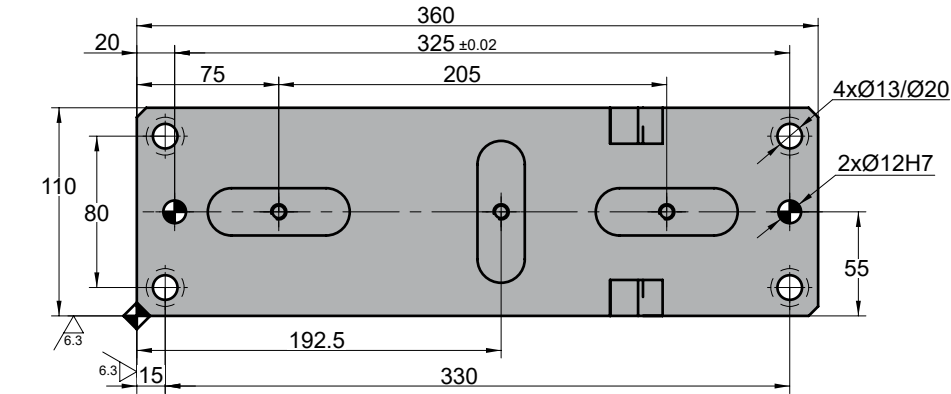
No.	Descripción	Qty.	Material
⑯	Screw	2	M10 x 20
⑰	Screw	1	M8 x 80
⑱	Stopper	2	Urethane
⑲	Gas Spring	1	CW 320 063

ASVX 0110

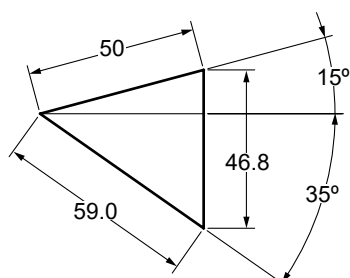
Aerial cam for pierce and flange



ASVX 0110 35



◦Cam diagram:



◦Disassembling space:



ASVX 0110

Aerial cam for pierce and flange

Stroke (mm)	Working force kN - (tons)	Spring Force N - (kgf)		Weight (Kg)	Model	W (mm)	α (mm)
		Initial F ₀	Final F ₁				
59.0	150.0 (15.3)	---	5479.9 (559.1)	48.6	ASVX	0110	35



Order: Model (W) (α)
ASVX 0110 35

Standard order example according to catalog sheet. Add options applying options table contents.

OPTIONS

K

5 x M8x15

KEY

Order Options: Model (W) (α)-Option



ASVX 0110 35-K



SPARE PARTS:

- ④ Slider Plate 1
- ⑥ Slider Plate 3
- ⑧ Slider Plate 4
- ⑱ Gas Spring

COMPONENTS

No.	Descripción	Qty.	Material
①	Cam Driver	1	GGG60
②	Cam Slider	1	GGG60
③	Cam Holder	1	GGG60
④	Slider Plate 1	1	Bronze + G
⑤	Slider Plate 2	2	CK45
⑥	Slider Plate 3	2	Bronze + G
⑦	Positive Return	2	CK45
⑧	Slider Plate 4	1	CK45
⑨	Cam Slider Plate	2	Bronze + G
⑩	Stopper Plate	1	CK45
⑪	Locking Stopper	1	CK45
⑫	Spring Guide Plate	2	CK45
⑬	Screw	17	M8 x 15
⑭	Screw	8	M10 x 25
⑮	Screw	2	M8 x 60

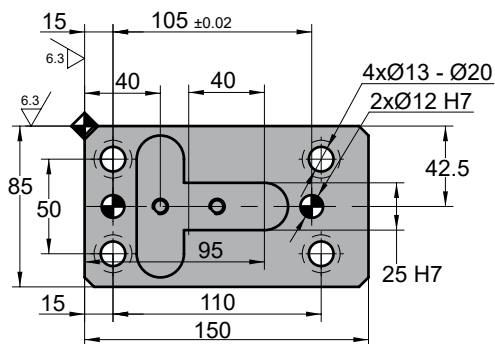
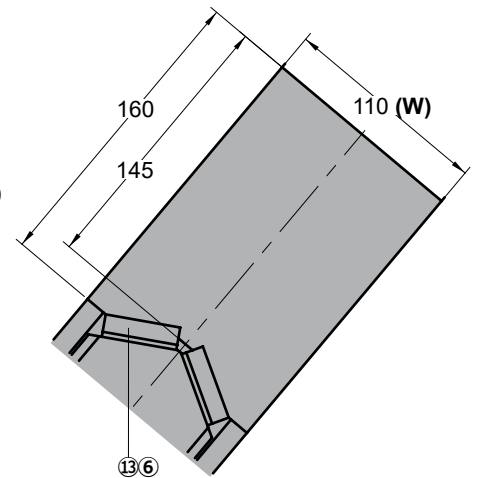
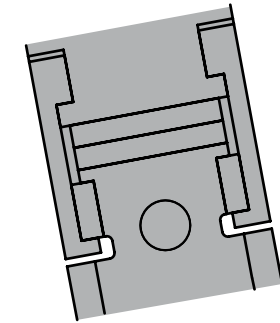
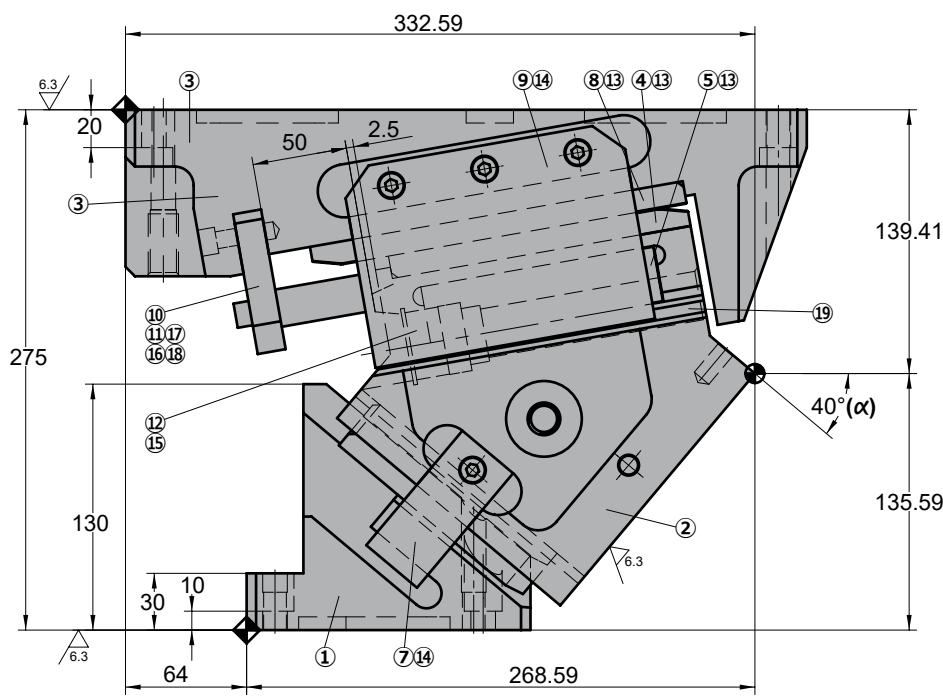
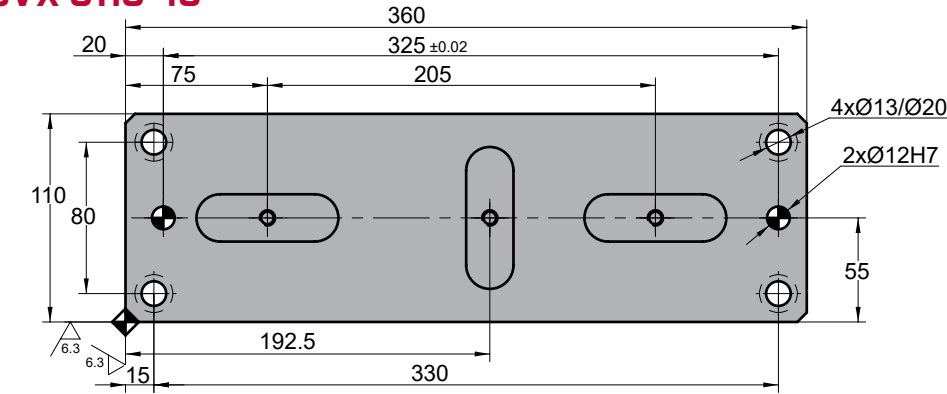
No.	Descripción	Qty.	Material
⑯	Screw	2	M10 x 20
⑰	Screw	1	M8 x 80
⑱	Stopper	2	Urethane
⑲	Gas Spring	1	CW 320 063

ASVX 0110

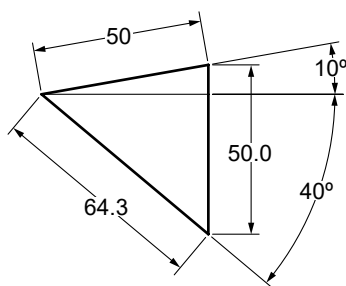
Aerial cam for pierce and flange



ASVX 0110 40



◦Cam diagram:



◦Disassembling space:



ASVX 0110

Aerial cam for pierce and flange

Stroke (mm)	Working force kN - (tons)	Spring Force N - (kgf)		Weight (Kg)	Model	W (mm)	α (mm)
		Initial F ₀	Final F ₁				
64.3	150.0 (15.3)	---	5479.9 (559.1)	46.3	ASVX	0110	40



Order: Model (W) (α)
ASVX 0110 40

Standard order example according to catalog sheet. Add options applying options table contents.

OPTIONS

K

KEY

Order Options: Model (W) (α)-Option



ASVX 0110 40-K



SPARE PARTS:

- ④ Slider Plate 1
- ⑥ Slider Plate 3
- ⑧ Slider Plate 4
- ⑱ Gas Spring

COMPONENTS

No.	Descripción	Qty.	Material
①	Cam Driver	1	GGG60
②	Cam Slider	1	GGG60
③	Cam Holder	1	GGG60
④	Slider Plate 1	1	Bronze + G
⑤	Slider Plate 2	2	CK45
⑥	Slider Plate 3	2	Bronze + G
⑦	Positive Return	2	CK45
⑧	Slider Plate 4	1	CK45
⑨	Cam Slider Plate	2	Bronze + G
⑩	Stopper Plate	1	CK45
⑪	Locking Stopper	1	CK45
⑫	Spring Guide Plate	2	CK45
⑬	Screw	17	M8 x 15
⑭	Screw	8	M10 x 25
⑮	Screw	2	M8 x 60

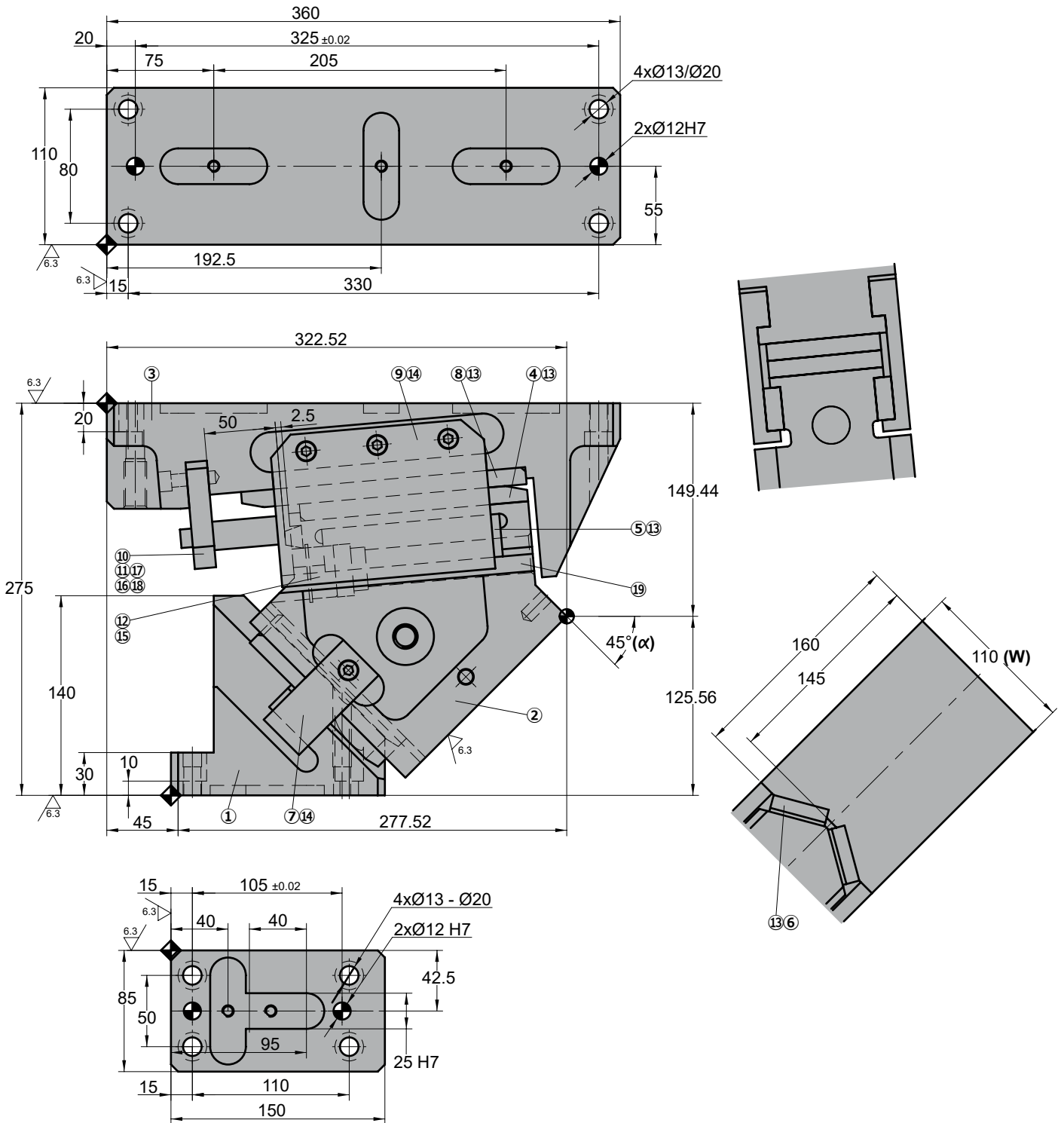
No.	Descripción	Qty.	Material
⑯	Screw	2	M10 x 20
⑰	Screw	1	M8 x 80
⑱	Stopper	2	Urethane
⑲	Gas Spring	1	CW 320 063

ASVX 0110

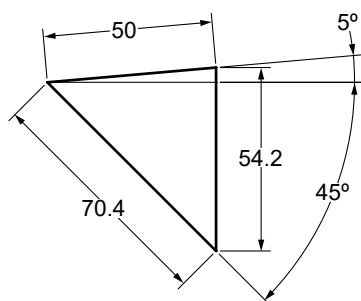
Aerial cam for pierce and flange



ASVX 0110 45



◦Cam diagram:



◦Disassembling space:



ASVX 0110

Aerial cam for pierce and flange

Stroke (mm)	Working force kN - (tons)	Spring Force N - (kgf)		Weight (Kg)	Model	W (mm)	α (mm)
		Initial F ₀	Final F ₁				
70.4	150.0 (15.3)	---	5479.9 (559.1)	46.6	ASVX	0110	45



Order: Model (W) (α)
ASVX 0110 45

Standard order example according to catalog sheet. Add options applying options table contents.

OPTIONS

K

5 x M8x15

KEY

Order Options: Model (W) (α)-Option



ASVX 0110 45-K



SPARE PARTS:

- ④ Slider Plate 1
- ⑥ Slider Plate 3
- ⑧ Slider Plate 4
- ⑱ Gas Spring

COMPONENTS

No.	Descripción	Qty.	Material
①	Cam Driver	1	GGG60
②	Cam Slider	1	GGG60
③	Cam Holder	1	GGG60
④	Slider Plate 1	1	Bronze + G
⑤	Slider Plate 2	2	CK45
⑥	Slider Plate 3	2	Bronze + G
⑦	Positive Return	2	CK45
⑧	Slider Plate 4	1	CK45
⑨	Cam Slider Plate	2	Bronze + G
⑩	Stopper Plate	1	CK45
⑪	Locking Stopper	1	CK45
⑫	Spring Guide Plate	2	CK45
⑬	Screw	17	M8 x 15
⑭	Screw	8	M10 x 25
⑮	Screw	2	M8 x 60

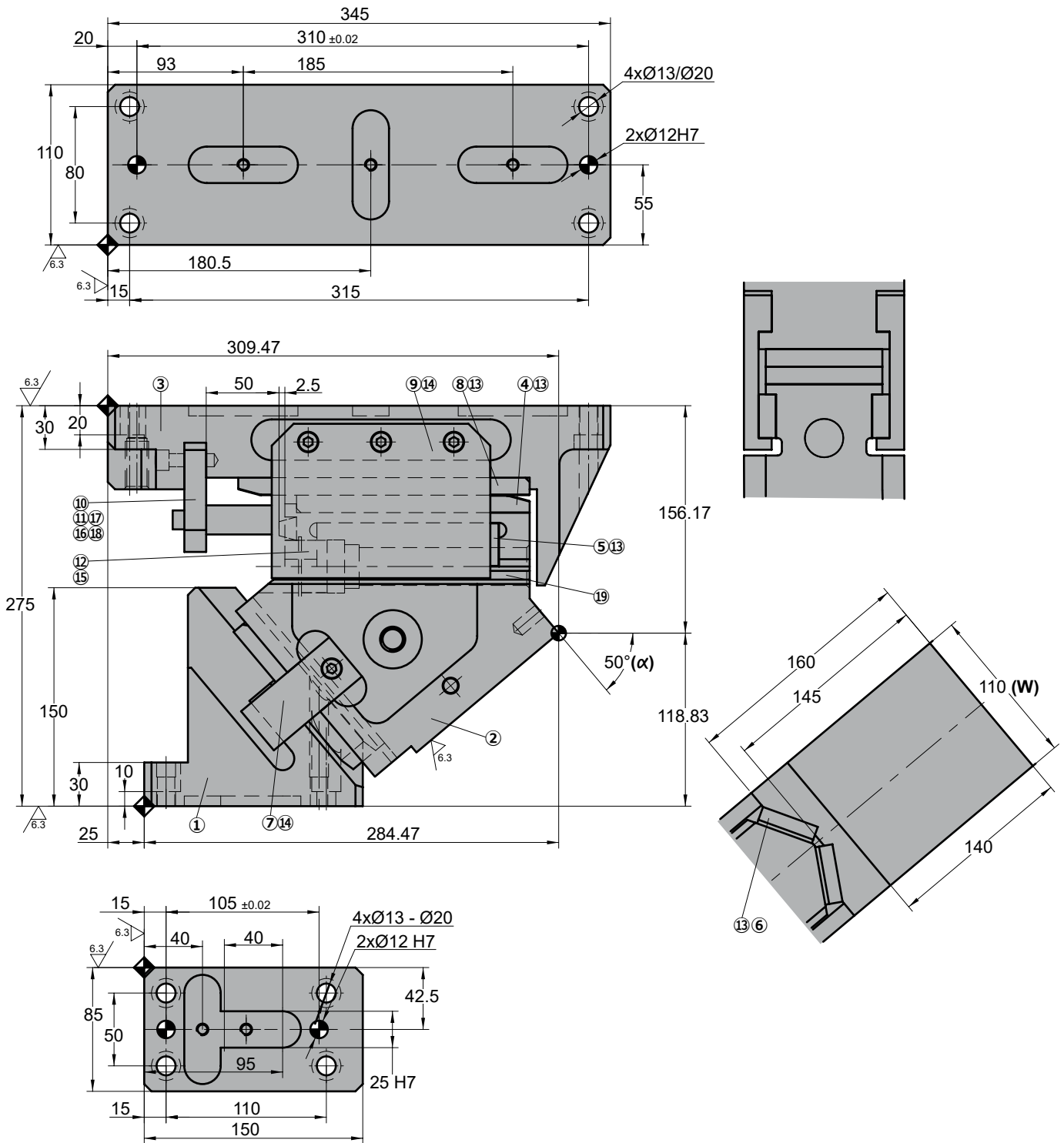
No.	Descripción	Qty.	Material
⑯	Screw	2	M10 x 20
⑰	Screw	1	M8 x 80
⑱	Stopper	2	Urethane
⑲	Gas Spring	1	CW 320 063

ASVX 0110

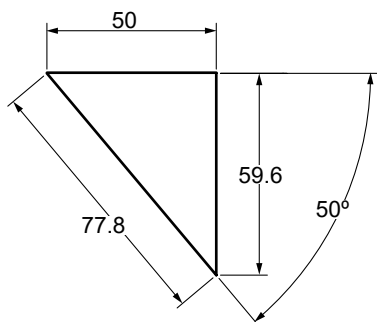
Aerial cam for pierce and flange



ASVX 0110 50



◦Cam diagram:



◦Disassembling space:



ASVX 0110

Aerial cam for pierce and flange

Stroke (mm)	Working force kN - (tons)	Spring Force N - (kgf)		Weight (Kg)	Model	W (mm)	α (mm)
		Initial F ₀	Final F ₁				
77.8	150.0 (15.3)	---	5479.9 (559.1)	45.4	ASVX	0110	50



Order: Model (W) (α)
ASVX 0110 50

Standard order example according to catalog sheet. Add options applying options table contents.

OPTIONS

K

5 x M8x15

KEY

Order Options: Model (W) (α)-Option



ASVX 0110 50-K



SPARE PARTS:

- ④ Slider Plate 1
- ⑥ Slider Plate 3
- ⑧ Slider Plate 4
- ⑱ Gas Spring

COMPONENTS

No.	Descripción	Qty.	Material
①	Cam Driver	1	GGG60
②	Cam Slider	1	GGG60
③	Cam Holder	1	GGG60
④	Slider Plate 1	1	Bronze + G
⑤	Slider Plate 2	2	CK45
⑥	Slider Plate 3	2	Bronze + G
⑦	Positive Return	2	CK45
⑧	Slider Plate 4	1	CK45
⑨	Cam Slider Plate	2	Bronze + G
⑩	Stopper Plate	1	CK45
⑪	Locking Stopper	1	CK45
⑫	Spring Guide Plate	2	CK45
⑬	Screw	17	M8 x 15
⑭	Screw	8	M10 x 25
⑮	Screw	2	M8 x 60

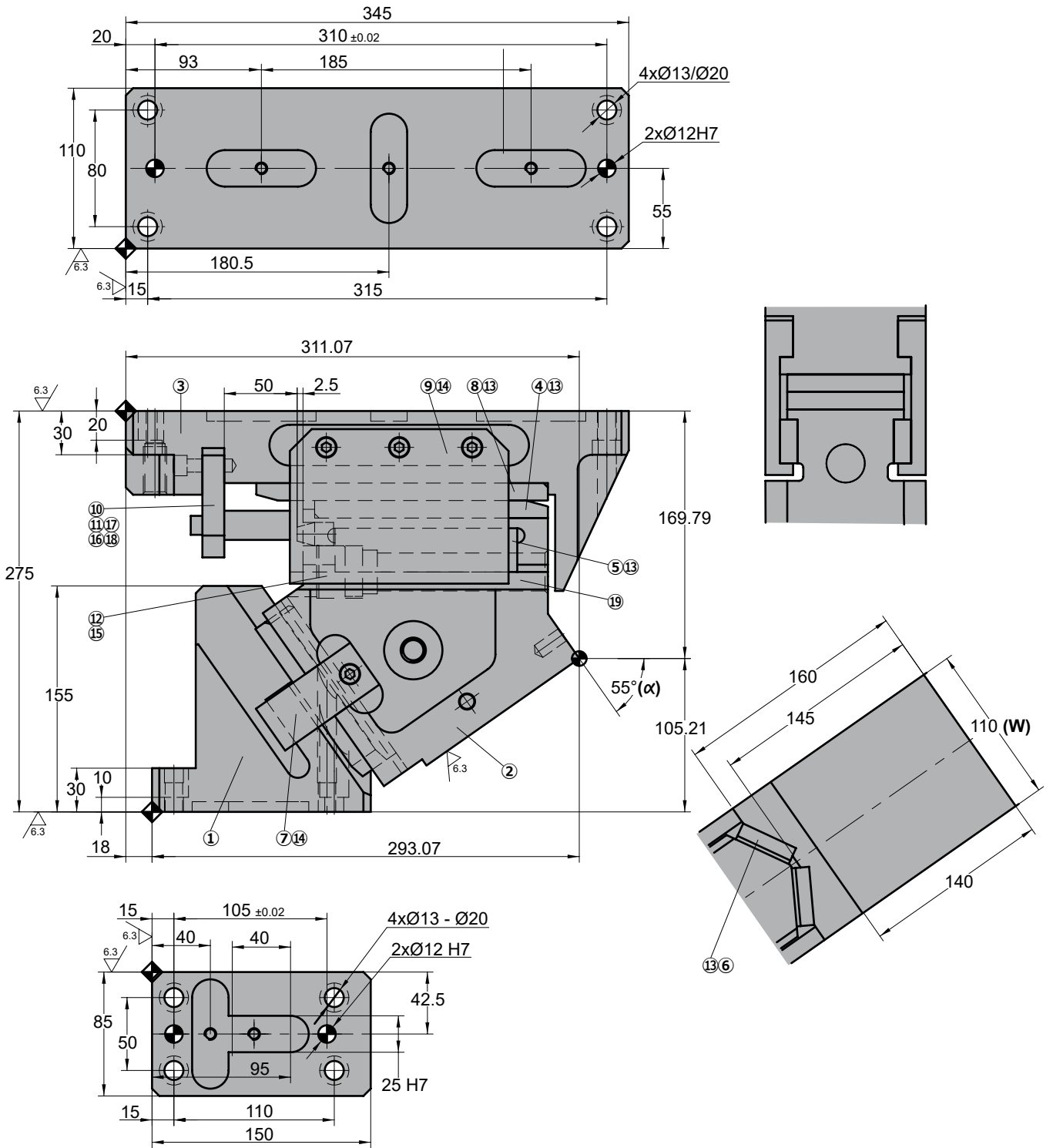
No.	Descripción	Qty.	Material
⑯	Screw	2	M10 x 20
⑰	Screw	1	M8 x 80
⑱	Stopper	2	Urethane
⑲	Gas Spring	1	CW 320 063

ASVX 0110

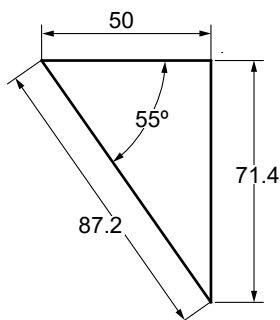
Aerial cam for pierce and flange



ASVX 0110 55



◦Cam diagram:



◦Disassembling space:



ASVX 0110

Aerial cam for pierce and flange

Stroke (mm)	Working force kN - (tons)	Spring Force N - (kgf)		Weight (Kg)	Model	W (mm)	α (mm)
		Initial F ₀	Final F ₁				
87.2	150.0 (15.3)	---	5479.9 (559.1)	46.5	ASVX	0110	55



Order: Model (W) (α)
ASVX 0110 55

Standard order example according to catalog sheet. Add options applying options table contents.

OPTIONS

K

KEY

Order Options: Model (W) (α)-Option



ASVX 0110 55-K



SPARE PARTS:

- ④ Slider Plate 1
- ⑥ Slider Plate 3
- ⑧ Slider Plate 4
- ⑱ Gas Spring

COMPONENTS

No.	Descripción	Qty.	Material
①	Cam Driver	1	GGG60
②	Cam Slider	1	GGG60
③	Cam Holder	1	GGG60
④	Slider Plate 1	1	Bronze + G
⑤	Slider Plate 2	2	CK45
⑥	Slider Plate 3	2	Bronze + G
⑦	Positive Return	2	CK45
⑧	Slider Plate 4	1	CK45
⑨	Cam Slider Plate	2	Bronze + G
⑩	Stopper Plate	1	CK45
⑪	Locking Stopper	1	CK45
⑫	Spring Guide Plate	2	CK45
⑬	Screw	17	M8 x 15
⑭	Screw	8	M10 x 25
⑮	Screw	2	M8 x 60

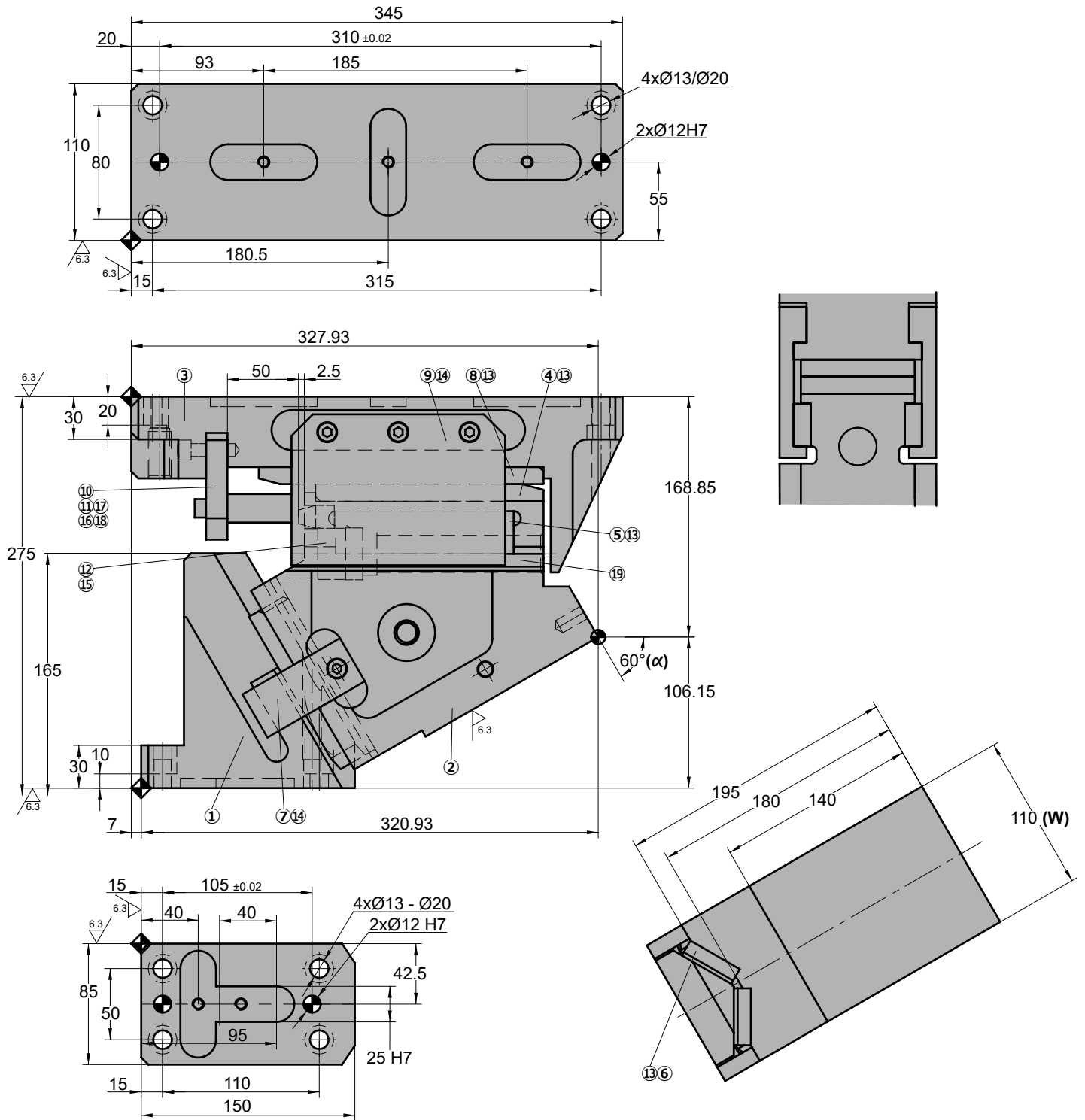
No.	Descripción	Qty.	Material
⑯	Screw	2	M10 x 20
⑰	Screw	1	M8 x 80
⑱	Stopper	2	Urethane
⑲	Gas Spring	1	CW 320 063

ASVX 0110

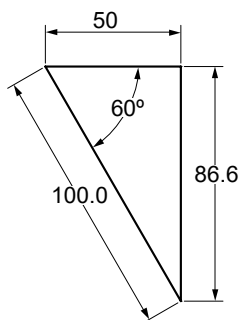
Aerial cam for pierce and flange



ASVX 0110 60



◦Cam diagram:



◦Disassembling space:



ASVX 0110

Aerial cam for pierce and flange

Stroke (mm)	Working force kN - (tons)	Spring Force N - (kgf)		Weight (Kg)	Model	W (mm)	α (mm)
		Initial F ₀	Final F ₁				
100.0	150.0 (15.3)	---	5479.9 (559.1)	47.9	ASVX	0110	60



Order: Model (W) (α)
ASVX 0110 60

Standard order example according to catalog sheet. Add options applying options table contents.

OPTIONS

K

KEY

Order Options: Model (W) (α)-Option



ASVX 0110 60-K



SPARE PARTS:

- ④ Slider Plate 1
- ⑥ Slider Plate 3
- ⑧ Slider Plate 4
- ⑱ Gas Spring

COMPONENTS

No.	Descripción	Qty.	Material
①	Cam Driver	1	GGG60
②	Cam Slider	1	GGG60
③	Cam Holder	1	GGG60
④	Slider Plate 1	1	Bronze + G
⑤	Slider Plate 2	2	CK45
⑥	Slider Plate 3	2	Bronze + G
⑦	Positive Return	2	CK45
⑧	Slider Plate 4	1	CK45
⑨	Cam Slider Plate	2	Bronze + G
⑩	Stopper Plate	1	CK45
⑪	Locking Stopper	1	CK45
⑫	Spring Guide Plate	2	CK45
⑬	Screw	17	M8 x 15
⑭	Screw	8	M10 x 25
⑮	Screw	2	M8 x 60

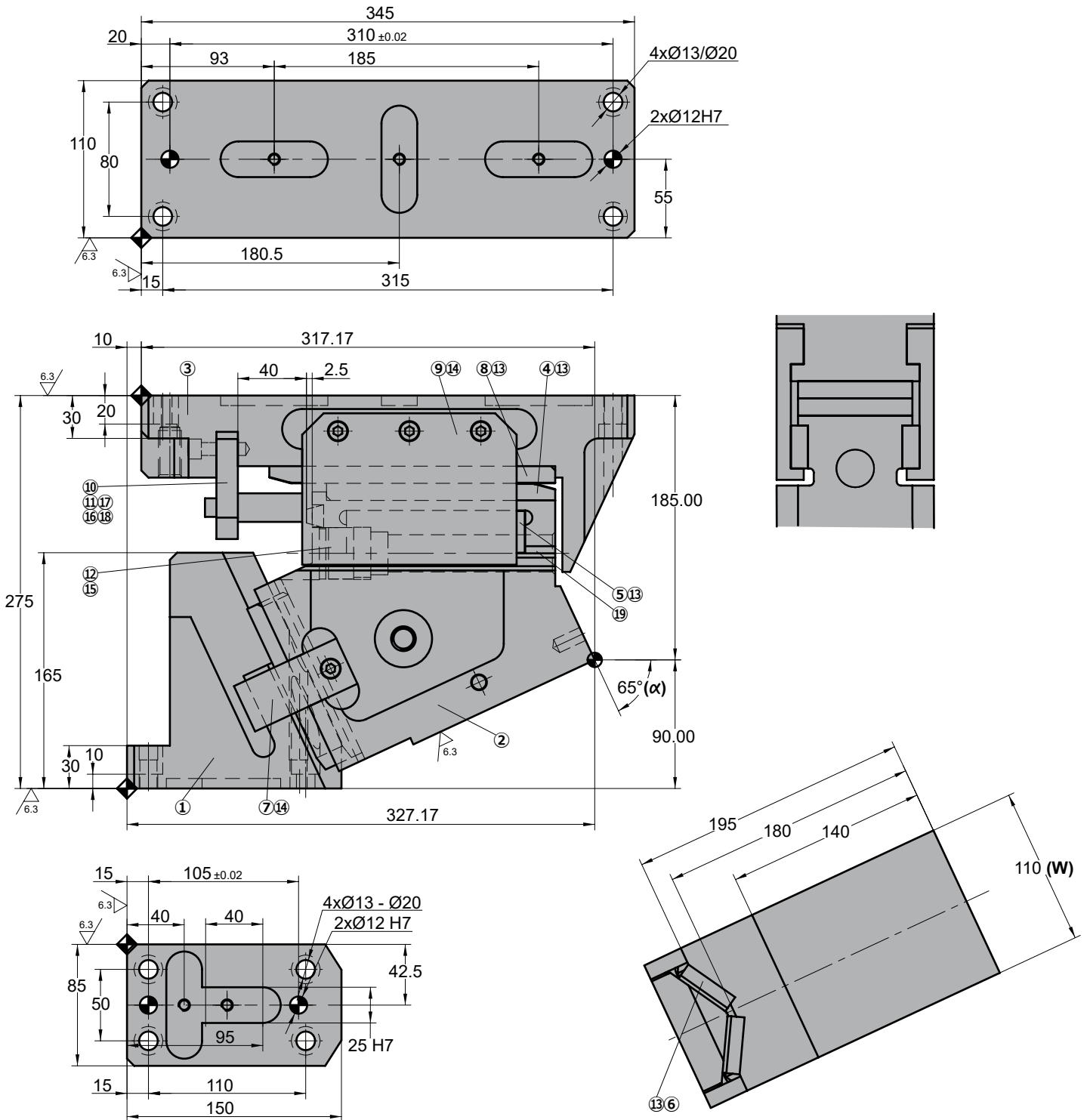
No.	Descripción	Qty.	Material
⑯	Screw	2	M10 x 20
⑰	Screw	1	M8 x 80
⑱	Stopper	2	Urethane
⑲	Gas Spring	1	CW 320 063

ASVX 0110

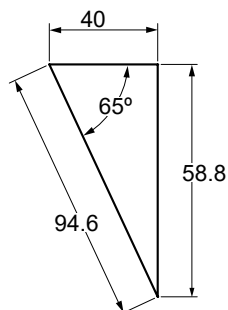
Aerial cam for pierce and flange



ASVX 0110 65



◦Cam diagram:



◦Disassembling space:



ASVX 0110

Aerial cam for pierce and flange

Stroke (mm)	Working force kN - (tons)	Spring Force N - (kgf)		Weight (Kg)	Model	W (mm)	α (mm)
		Initial F ₀	Final F ₁				
94.6	150.0 (15.3)	---	5501.2 (561.3)	48.9	ASVX	0110	65



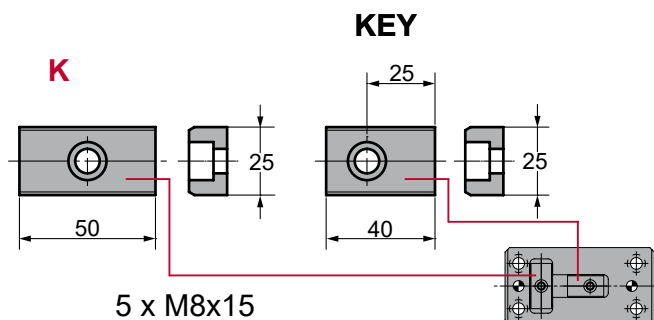
Order: Model (W) (α)

ASVX 0110 65

Standard order example according to catalog sheet. Add options applying options table contents.

OPTIONS

K



Order Options: Model (W) (α)-Option



ASVX 0110 65-K



SPARE PARTS:

- ④ Slider Plate 1
- ⑥ Slider Plate 3
- ⑧ Slider Plate 4
- ⑱ Gas Spring

COMPONENTS

No.	Descripción	Qty.	Material
①	Cam Driver	1	GGG60
②	Cam Slider	1	GGG60
③	Cam Holder	1	GGG60
④	Slider Plate 1	1	Bronze + G
⑤	Slider Plate 2	2	CK45
⑥	Slider Plate 3	2	Bronze + G
⑦	Positive Return	2	CK45
⑧	Slider Plate 4	1	CK45
⑨	Cam Slider Plate	2	Bronze + G
⑩	Stopper Plate	1	CK45
⑪	Locking Stopper	1	CK45
⑫	Spring Guide Plate	2	CK45
⑬	Screw	17	M8 x 15
⑭	Screw	8	M10 x 25
⑮	Screw	2	M8 x 60

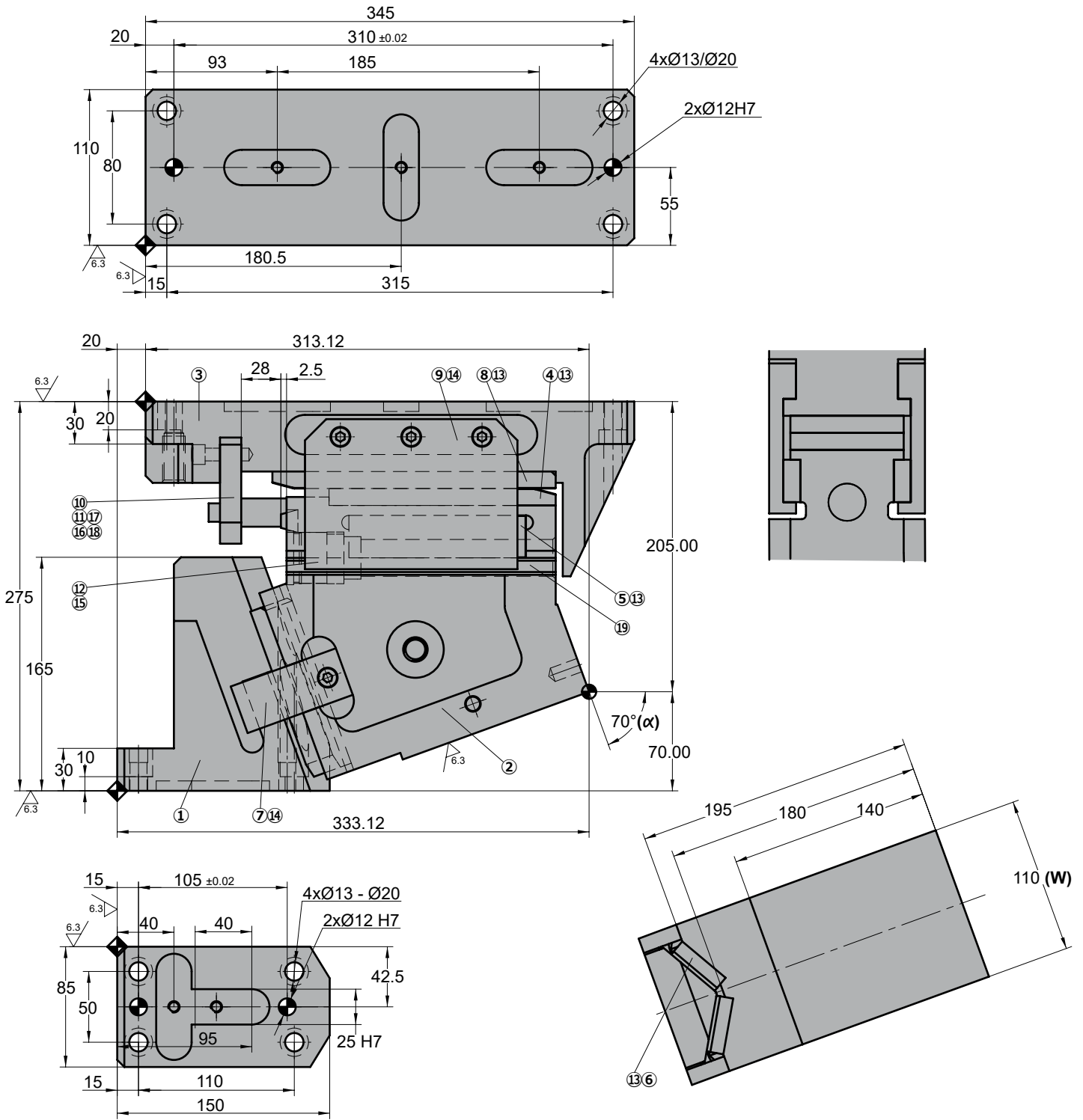
No.	Descripción	Qty.	Material
⑯	Screw	2	M10 x 20
⑰	Screw	1	M8 x 75
⑱	Stopper	2	Urethane
⑲	Gas Spring	1	CW 320 050

ASVX 0110

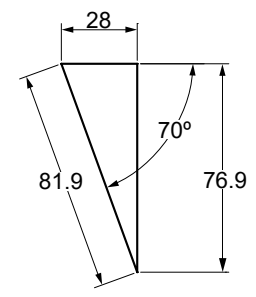
Aerial cam for pierce and flange



ASVX 0110 70



◦Cam diagram:



◦Disassembling space:



ASVX 0110

Aerial cam for pierce and flange

Stroke (mm)	Working force kN - (tons)	Spring Force N - (kgf)		Weight (Kg)	Model	W (mm)	α (mm)
		Initial F ₀	Final F ₁				
81.9	150.0 (15.3)	---	5193.0 (529.9)	50.8	ASVX	0110	70



Order: Model (W) (α)
ASVX 0110 70

Standard order example according to catalog sheet. Add options applying options table contents.

OPTIONS

K

5 x M8x15

KEY

Order Options: Model (W) (α)-Option
ASVX 0110 70-K

SPARE PARTS:

- ④ Slider Plate 1
- ⑥ Slider Plate 3
- ⑧ Slider Plate 4
- ⑱ Gas Spring

COMPONENTS

No.	Descripción	Qty.	Material
①	Cam Driver	1	GGG60
②	Cam Slider	1	GGG60
③	Cam Holder	1	GGG60
④	Slider Plate 1	1	Bronze + G
⑤	Slider Plate 2	2	CK45
⑥	Slider Plate 3	2	Bronze + G
⑦	Positive Return	2	CK45
⑧	Slider Plate 4	1	CK45
⑨	Cam Slider Plate	2	Bronze + G
⑩	Stopper Plate	1	CK45
⑪	Locking Stopper	1	CK45
⑫	Spring Guide Plate	2	CK45
⑬	Screw	17	M8 x 15
⑭	Screw	8	M10 x 25
⑮	Screw	2	M8 x 60

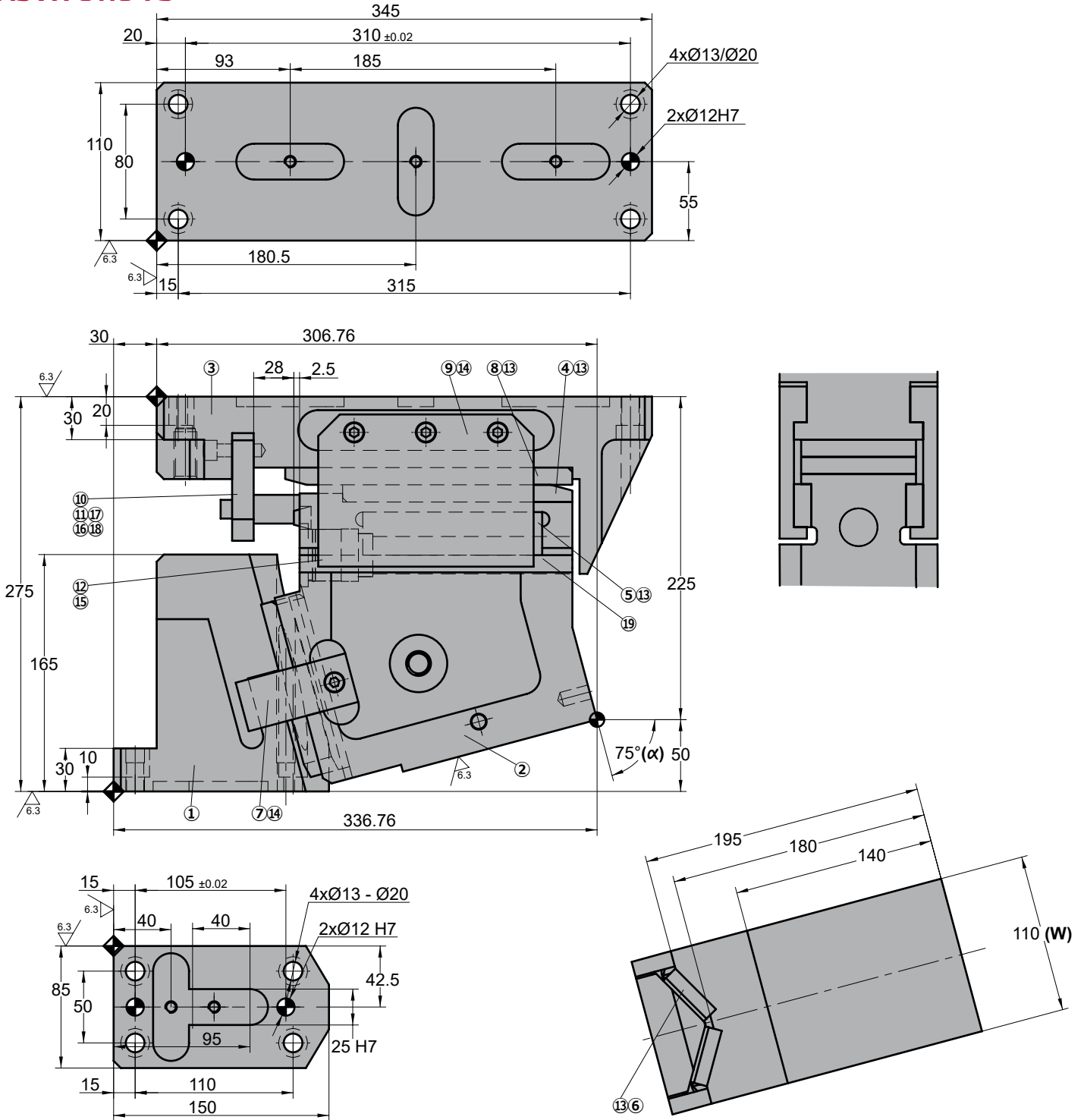
No.	Descripción	Qty.	Material
⑯	Screw	2	M10 x 20
⑰	Screw	1	M8 x 60
⑱	Stopper	2	Urethane
⑲	Gas Spring	1	CW 320 038

ASVX 0110

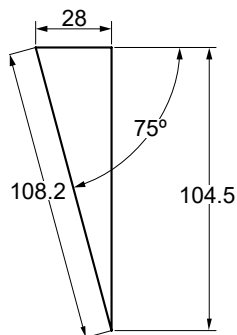
Aerial cam for pierce and flange



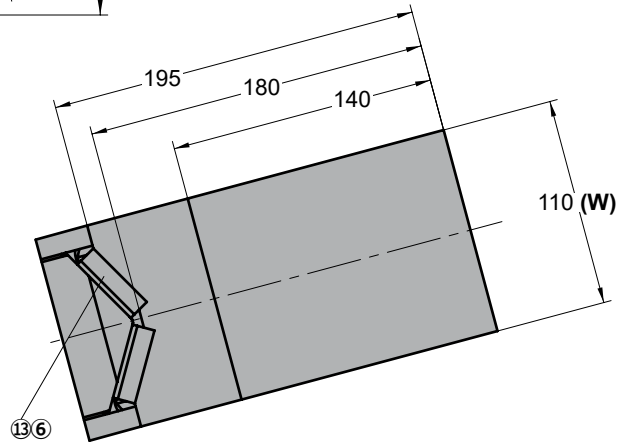
ASVX 0110 75



◦Cam diagram:



◦Disassembling space:





ASVX 0110

Aerial cam for pierce and flange

Stroke (mm)	Working force kN - (tons)	Spring Force N - (kgf)		Weight (Kg)	Model	W (mm)	α (mm)
		Initial F ₀	Final F ₁				
108.2	150.0 (15.3)	---	5193.0 (529.9)	52.6	ASVX	0110	75



Order: Model (W) (α)
ASVX 0110 75

Standard order example according to catalog sheet. Add options applying options table contents.

OPTIONS

K

KEY

Order Options: Model (W) (α)-Option
ASVX 0110 75-K

SPARE PARTS:

- ④ Slider Plate 1
- ⑥ Slider Plate 3
- ⑧ Slider Plate 4
- ⑱ Gas Spring

COMPONENTS

No.	Descripción	Qty.	Material
①	Cam Driver	1	GGG60
②	Cam Slider	1	GGG60
③	Cam Holder	1	GGG60
④	Slider Plate 1	1	Bronze + G
⑤	Slider Plate 2	2	CK45
⑥	Slider Plate 3	2	Bronze + G
⑦	Positive Return	2	CK45
⑧	Slider Plate 4	1	CK45
⑨	Cam Slider Plate	2	Bronze + G
⑩	Stopper Plate	1	CK45
⑪	Locking Stopper	1	CK45
⑫	Spring Guide Plate	2	CK45
⑬	Screw	17	M8 x 15
⑭	Screw	8	M10 x 25
⑮	Screw	2	M8 x 60

No.	Descripción	Qty.	Material
⑯	Screw	2	M10 x 20
⑰	Screw	1	M8 x 60
⑱	Stopper	2	Urethane
⑲	Gas Spring	1	CW 320 038

ASVX 0110



Aerial cam for pierce and flange